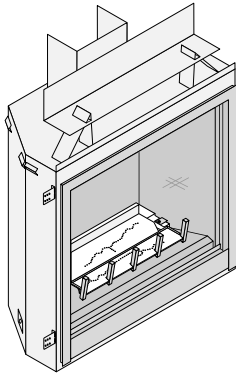




# ProBuilder 36 CleanFace GSB2

- Direct Vent Fireplace
- Natural Gas or Propane
- Vent Horizontally or Vertically
- Standard Residential
- Mobile Home Approved



**WARNING:** If the information in these instructions is not followed exactly, a fire or explosion may result causing property damage, personal injury or loss of life.

- **DO NOT PLACE ARTICLES ON OR AGAINST THIS APPLIANCE.**
  - **DO NOT USE OR STORE FLAMMABLE MATERIALS NEAR THIS APPLIANCE.**
  - **DO NOT SPRAY AEROSOLS IN THE VICINITY OF THIS APPLIANCE WHILE IT IS IN OPERATION.**
  - **DO NOT MODIFY THIS APPLIANCE.**
  - Do not store or use gasoline or other flammable vapors and liquids in the vicinity of this or any other appliance.
- WHAT TO DO IF YOU SMELL GAS**
- Do not try to light any appliance.
  - Do not touch any electrical switch; do not use any phone in your building.
  - Immediately call gas supplier from a neighbor's phone. Follow the gas supplier's instructions.
  - If you cannot reach your gas supplier, call the fire department.
  - Installation and service must be performed by a qualified installer, service agency or the gas supplier.

This appliance may be installed in an aftermarket permanently located, manufactured home (USA only) or mobile home, where not prohibited by local codes.

***This appliance is only for use with the type(s) of gas indicated on the rating plate. A conversion kit is supplied with the appliance.***

## **WARNING**



**HOT GLASS WILL CAUSE BURNS.  
DO NOT TOUCH GLASS UNTIL COOLED.  
NEVER ALLOW CHILDREN TO TOUCH GLASS.**

## Installation Manual

**Installer:** After installation give this manual to the homeowner and explain operation of this heater.

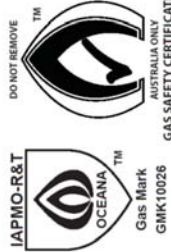
Dragon Wholesaling Pty. Ltd.  
Unit 4, 16 Lexington Drive  
Bella Vista NSW  
Australia 2153

**Overview**

This manual details the installation requirements for the ProBuilder 36 CF GSB2 fireplace. For operating and maintenance instructions, refer to the ProBuilder 36 CF GSB2 fireplace Owner's Manual.



**ProBuilder 36 CF GSB2 (Au)**  
Vented Gas Fireplace Heater



Tested to the combustion performance and construction requirements of AS/NZS 5263.1.3 Gas Space Heating Appliances. This appliance must be installed in accordance with all local codes.

This ProBuilder 36 CF GSB2 appliance is equipped from the factory only for use with Natural Gas and is only for use with the type of gas indicated on the rating plate. For conversion to LP (Propane) use a certified kit supplied by the manufacturer. See owner's manual for information on making these changes.

This appliance may be installed in an aftermarket, permanently located, manufactured (mobile) home where not prohibited by local codes.

This vented gas fireplace heater is not for use with air filters. This appliance must be properly connected to a venting system in accordance with the manufacturer's installation instructions. Use only approved co-linear direct vent systems to vent this appliance to the exterior. See owner's manual for approved brands of venting.

**WARNING:** Improper installation, adjustment, alteration, service or maintenance can cause injury or property damage. Refer to the owner's information manual provided with this appliance. For assistance or additional information consult a qualified installer, service agency or the gas supplier.

This appliance is a Vented Gas Fireplace Heater. Not for use with Solid Fuel.

Young children should be carefully supervised at all times when they are in the same room as the appliance.

**Minimum Clearances to Combustibles**

Fireplace To Adjacent Wall	0 mm	Base Of Fireplace To Enclosure Top	1572 mm
Wood Floor Beneath Fireplace	0 mm	Sides To Enclosure	13 mm
Back To Enclosure	13 mm	Base Of Fireplace To A Mantel	See Owner's Manual

**FAN TYPE VENTED CIRCULATOR**

Blower Electrical Rating: 240V, 1.5 Amps, 50 Hz, 150 Watts

	L.P.	N.G.	L.P.	N.G.
Input Rate on "H" (MJ/h)	26.0	26.0	Minimum Inlet Pressure (kPa)	2.75
Input Rate on "LO" (MJ/h)	14.4	15.0	Maximum Inlet Pressure (kPa)	3.23
Front Orifice Size - (DMS)	#63	#54	Manifold Pressure on "H" (kPa)	2.64
Rear Orifice Size - (DMS)	#57	#48		0.93

This appliance is equipped for installation 0-610 m. For altitudes above 600m, the vent configuration, orifice, or combination of both may need to be changed. See owner's manual for information on making these changes.

Certificate Holder:

Manufactured by:



Dragon Wholesaling Pty. Ltd.  
Unit 4, 16 Lexington Drive  
Bella Vista NSW 2153  
Australia

**MANUFACTURE DATE:**

<input type="checkbox"/> 2019	<input type="checkbox"/> Jan.	<input type="checkbox"/> Apr.	<input type="checkbox"/> Jul.	<input type="checkbox"/> Oct.
<input type="checkbox"/> 2020	<input type="checkbox"/> Feb.	<input type="checkbox"/> May	<input type="checkbox"/> Aug.	<input type="checkbox"/> Nov.
<input type="checkbox"/> 2021	<input type="checkbox"/> Mar.	<input type="checkbox"/> Jun.	<input type="checkbox"/> Sep.	<input type="checkbox"/> Dec.

[www.lopi.com.au](http://www.lopi.com.au)

- Overview ..... 2**
- Installation Options ..... 6**
- Heating Specifications ..... 6**
- Dimensions ..... 6**
- Packing List ..... 7**
- Additional Items Required ..... 7**
- Recommended Installation Procedure ..... 7**
- Optional Equipment Installation ..... 7**
- Fireplace Placement Requirements ..... 8**
  - Clearances ..... 8
  - Raised Fireplaces ..... 8
- Minimum Framing Dimensions ..... 9**
- Nailing Brackets ..... 10**
- Standard vs. Extended Position ..... 11**
- Header and Pipe Shield Installation ..... 12**
- Corner Installations ..... 15**
- Televisions Placed Above the Fireplace ..... 16**
- Gas Line Requirements ..... 17**
  - Fuel ..... 17
  - Gas Line Connection ..... 17
  - Gas Inlet Pressure ..... 17
  - Gas Line Location ..... 18
- Electrical Connection ..... 19**
- Optional Wall Switch or Thermostat Installation .. 20**
  - Parallel Connection    Series Connection ..... 20
- Vent Requirements ..... 21**
  - Vent Clearances ..... 21
  - Vent Firestop or Thimble ..... 21
  - Altitude Considerations ..... 21
  - Approved Termination ..... 21
  - Approved Vent ..... 21
  - Vent Installation ..... 22
  - Exhaust Restrictor Position ..... 22
  - Diffuser ..... 23
- Vent Configurations ..... 24**
  - Minimum Vent Configuration ..... 24
  - Vent Configuration: Vertical Termination ..... 25
  - Vent Configuration: Horizontal Termination with Vertical Rise ..... 26
- Masonry Chimney Conversions ..... 27**
- Class A Chimney Conversion ..... 28**
- Termination Requirements ..... 29**
- Hearth Requirements ..... 30**
- Facing Requirements ..... 31**
  - Standard vs. Extended Position ..... 32
  - Facing Thicker than 1-1/2" (38mm). ..... 33
  - Screen Assembly Mounts ..... 34
- Mantel Requirements ..... 35**
  - Mantel Column Clearances ..... 35

- Use of a Non-Combustible Mantel Below Listed Mantel Clearances ..... 36**
- Finalizing the Installation ..... 37**
  - Pilot Flame Inspection ..... 37
  - Air Shutter Adjustment ..... 38
  - Location of Controls ..... 39
  - Glass Frame Removal and Installation ..... 40
  - Barrier Screen Visual Deflector Adjustment ..... 42
- Log Set Installation ..... 43**

## Safety Warnings

- Failure to follow all of the requirements may result in property damage, bodily injury, or even death.

**Young children should be carefully supervised when they are in the same room as the appliance. Toddlers, young children and others may be susceptible to accidental contact burns. A physical barrier is recommended if there are at risk individuals in the house. To restrict access to a fireplace or stove, install an adjustable safety gate to keep toddlers, young children and other at risk individuals out of the room and away from hot surfaces.**

**Children and adults should be alerted to the hazards of high surface temperature and should stay away to avoid burns or clothing ignition. Do not touch the hot surfaces of the heater. Educate all children of the danger of a high-temperature heater.**

**Due to the high temperature, the heater should be located out of traffic and away from furniture and draperies.**

- This unit must be installed by a qualified installer to prevent the possibility of an explosion.
- This appliance must be installed in accordance with all local codes, if any; if not, in U.S.A. follow ANSI Z223.1 and NFPA 54(88), in Canada follow CSA B149.1.
- A manufactured home (USA only) or mobile home OEM installation must conform with the Manufactured Home Construction and Safety Standard, Title 24 CFR, Part 3280, or, when such a standard is not applicable, the Standard for Manufactured Home Installations, ANSI/NCSCS A225.1, or Standard for Gas Equipped Recreational Vehicles and Mobile Housing, CSA Z240.4. This appliance may be installed in Manufactured Housing only after the home is site located.
- All exhaust gases must be vented outside the structure of the living-area. Combustion air is drawn from outside the living-area structure. The venting must not be connected to a chimney flue serving a separate solid-fuel burning appliance.
- Notify your insurance company before hooking up this fireplace.
- The instructions in this manual must be strictly adhered to. Do not use makeshift methods or compromise in the installation. Improper installation will void the warranty and safety listing.
- This heater is approved for use with natural gas (NG) or propane (LP). Burning the incorrect fuel will void the warranty and safety listing and may cause an extreme safety hazard. Direct questions about the type of fuel used to your dealer.
- Contact your local building officials to obtain a permit and information on any installation restrictions or inspection requirements in your area.
- If the flame becomes sooty, dark orange in color, or extremely tall, do not operate the heater. Call your dealer and arrange for proper servicing.
- It is imperative that control compartments, screens, or circulating air passageways of the heater be kept clean and free of obstructions. These areas provide the air necessary for safe operation.
- Do not operate the heater if it is not operating properly in any fashion or if you are uncertain. Call your dealer for a full explanation of your heater and what to expect.
- Do not store or use gasoline or other flammable liquids in the vicinity of this heater.
- Do not operate if any portion of the heater was submerged in water or if any corrosion occurs. Immediately call a qualified service technician to inspect the appliance and to replace any part of the control system and any gas control which has been under water.

## Safety Warnings (continued)

- Because this heater can be controlled by a thermostat there is a possibility of the heater turning on and igniting any items placed on or near the appliance.
- Light the heater using the built-in igniter. Do not use matches or any other external device to light your heater.
- Never remove, replace, modify or substitute any part of the heater unless instructions are given in this manual. All other work must be done by a trained technician. Don't modify or replace orifices.
- The viewing glass should be opened only for conducting service (or lighting the pilot on millivolt units).
- Allow the heater to cool before carrying out any maintenance or cleaning.
- Operate the heater according to the instructions included in this manual.
- If the main burners do not start correctly turn the gas off and call your dealer for service.
- This unit is not for use with solid fuel.
- Do not place anything inside the firebox (except the optional artwork).
- **Warning:** Do not operate appliance with the glass front removed, cracked or broken. Replacement of the glass should be done by a licensed or qualified service person.
- Do not throw this manual away. This manual has important operating and maintenance instructions that you will need at a later time. Always follow the instructions in this manual.
- Instruct everyone in the house how to shut gas off to the appliance and at the gas main shutoff valve. The gas main shutoff valve is usually next to the gas meter or propane tank and requires a wrench to shut off.
- A barrier designed to reduce the risk of burns from the hot viewing glass is provided with this appliance and shall be installed for the protection of children and other at-risk individuals.
- If the barrier becomes damaged, the barrier shall be replaced with the manufacturer's barrier for this appliance.
- Clothing or other flammable material should not be placed on or near the appliance.
- Any safety screen, guard, or barrier removed for servicing an appliance must be replaced prior to operating the appliance.
- Installation and repair should be done by a qualified service person. The appliance should be inspected before use and at least annually by a professional service person. More frequent cleaning might be required due to excessive lint from carpeting, bedding material, et cetera. It is imperative that control compartments, burners, and circulating air passageways of the appliance be kept clean.
- **Travis Industries, Inc. grants no warranty, implied or stated, for the installation or maintenance of your heater, and assumes no responsibility of any consequential damage(s).**

### **SAFETY WARNINGS:**

- **DO NOT PLACE ARTICLES ON OR AGAINST THIS APPLIANCE.**
- **DO NOT USE OR STORE FLAMMABLE MATERIALS NEAR THIS APPLIANCE.**
- **DO NOT SPRAY AEROSOLS IN THE VICINITY OF THIS APPLIANCE WHILE IT IS IN OPERATION.**
- **DO NOT MODIFY THIS APPLIANCE.**
- **THIS INSTALLATION MUST CONFORM WITH THE FOLLOWING:**
  - Manufacturer's Installation instructions
  - Local Gas Fitting Regulations
  - Municipal Building Codes,
  - Refer to AS/NZS 5601.1 for Gas Installations.
  - S.A.A. Wiring Code
  - Local Electrical Regulations
  - Any other statutory regulations
- **NOT SUITABLE FOR MARINE USE.**
- **NOT INTENDED FOR FIREPLACE INSERT.**
- **APPLIANCES INCORPORATING A LIVE FUEL EFFECT, AND DESIGNED TO OPERATE WITH LUMINOUS FLAMES, MAY EXHIBIT SLIGHT CARBON DEPOSITION.**

*Travis Gas Fireplaces, Stoves, and Inserts are protected by one or more of the following patents; U.S. 8,469,021, 7,066,170, 6,602,068, 6,443,726, 6,953,037; Canada 2755517 as well as other U.S. and Foreign Patents pending.*

# 6

# Features and Specifications

## Installation Options

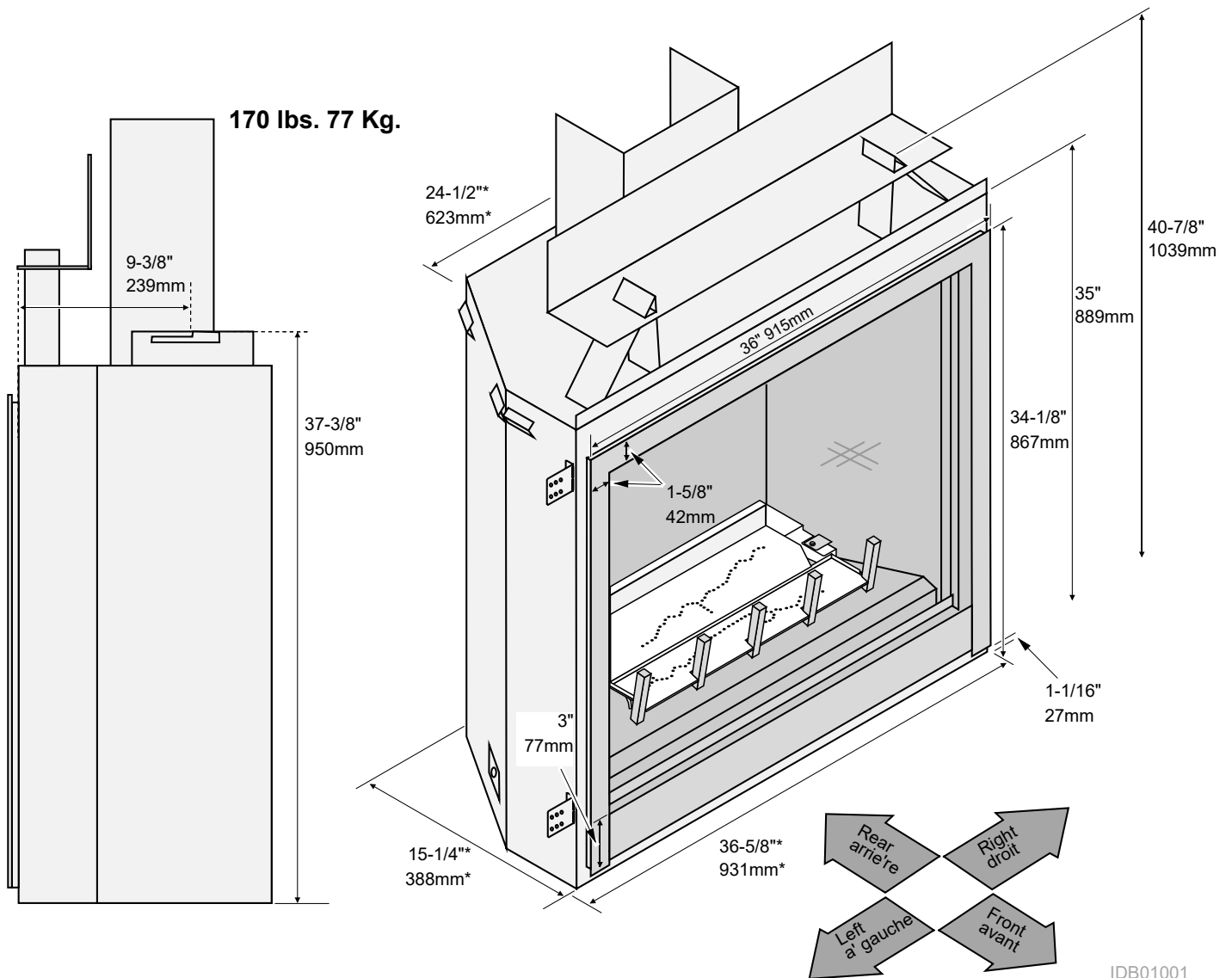
- Residential or Mobile Home
- Straight or Corner Placement
- Raised or Floor Placement
- Internal or External Chase
- Bedroom Approved

## Heating Specifications

		Natural Gas	Propane
36 CF ProBuilder	Approximate Heating Capacity (in square meters)*	Up to 107	Up to 107
	Maximum Input megajoules Per Hour	26	26

\* Heating capacity will vary with floor plan, insulation, and outside temperature.

## Dimensions



IDB01001

\* Includes the required 1/2" clearance to each side and rear of the fireplace.

## ***Packing List***

---

- LP (Propane) Conversion Kit:  
Rear Burner Orifice (#57), Front Burner Orifice (#63), Pilot Orifice (0.14 LP), LP Regulator

- Thimble (2-Piece Assembly)



- Pipe Shield



- Header Shield



- Include a log set.
- Wall Switch, Cover Plate, and Wire.

## ***Additional Items Required***

---

- Gas Line Equipment (shutoff valve, pipe, etc.)
- Electrical Equipment (min. 14 gauge, grounded line)

## ***Recommended Installation Procedure***

---

- Frame the opening for the fireplace. Make sure to allow for vent installation.
- Install the vent, gas line and electrical hook-up.
- Install the drywall.
- Install the hearth (if applicable).
- Install the facing (if applicable).
- Install the mantel (if applicable).
- Finalize the installation (see page 35).

## ***Optional Equipment Installation***

---

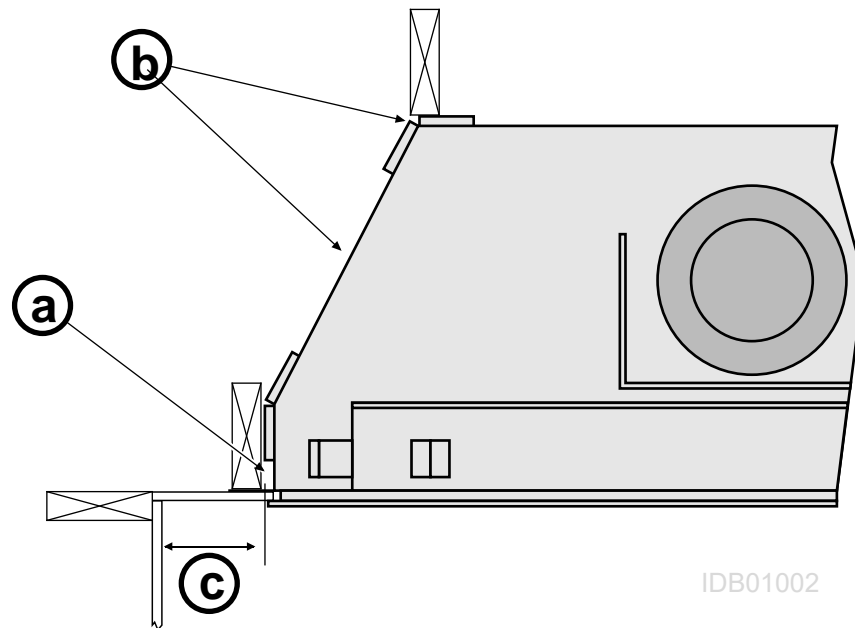
- If using Propane, convert the appliance.
- Install fireplace.
- If using optional firebacks, install them.
- Install logs, ember chunks, and rockwool.

**Fireplace Placement Requirements**

- Fireplace must be installed on a level surface capable of supporting the fireplace and vent
- Fireplace must be placed directly on wood or non-combustible surface (not on linoleum or carpet)
- Fireplace should be located out of traffic and away from furniture and avoid burns.
- Fireplace must be placed so the gaps below and above the glass frame do not become blocked.
- Fireplace may be placed in a bedroom. Please be aware of the large amount of heat this appliance produces when determining a location.

**Clearances**

- Clearance to Side of Fireplace 1/2" (13mm). Do not place insulation in this space.  
NOTE: Drywall (or other combustible) may contact the first 1/2" of the sides of the fireplace.
- Clearance to Back of Fireplace 1/2" (13mm). Do not place insulation in this space.
- When installed, walls in front of the fireplace must be a minimum 0" (0mm) to the side of the fireplace standoffs.

**Raised Fireplaces**

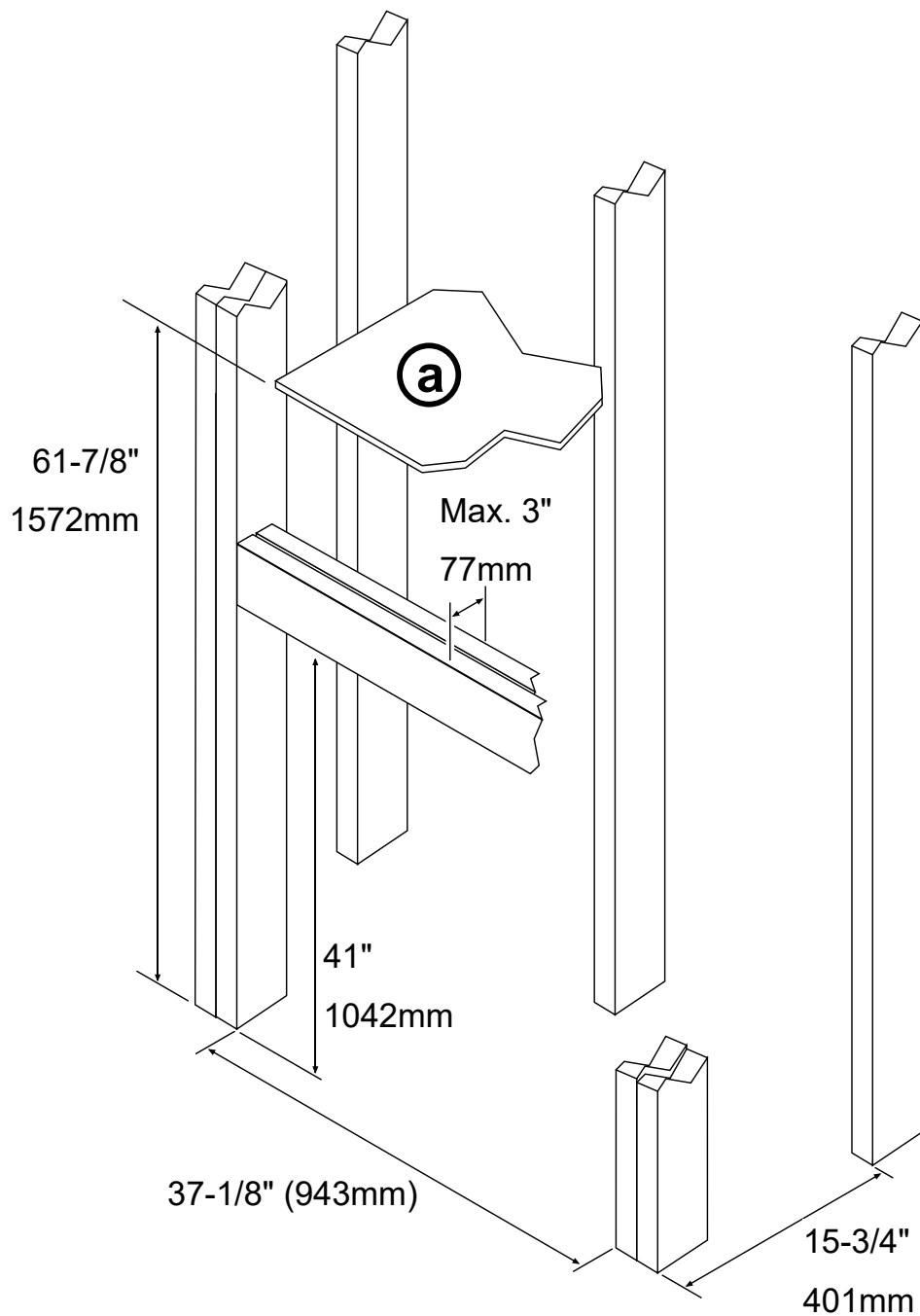
- The fireplace (and hearth, if desired) may be placed on a platform designed to support the fireplace and vent.
- The base of the fireplace must be a minimum 60" below the room ceiling.



The top of the control door (firebox opening) is approximately 8-3/4" (223mm) above the base of the fireplace. For a typical raised fireplace of 36" (915mm), place the fireplace on a platform 27-1/4" (693mm) tall.



## Minimum Framing Dimensions



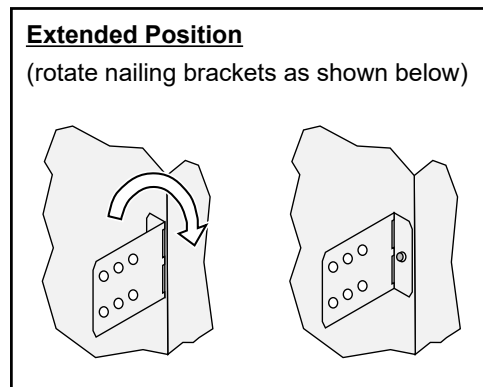
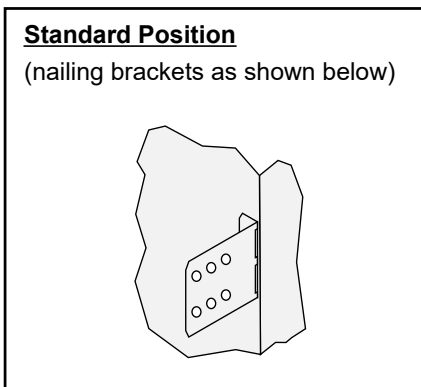
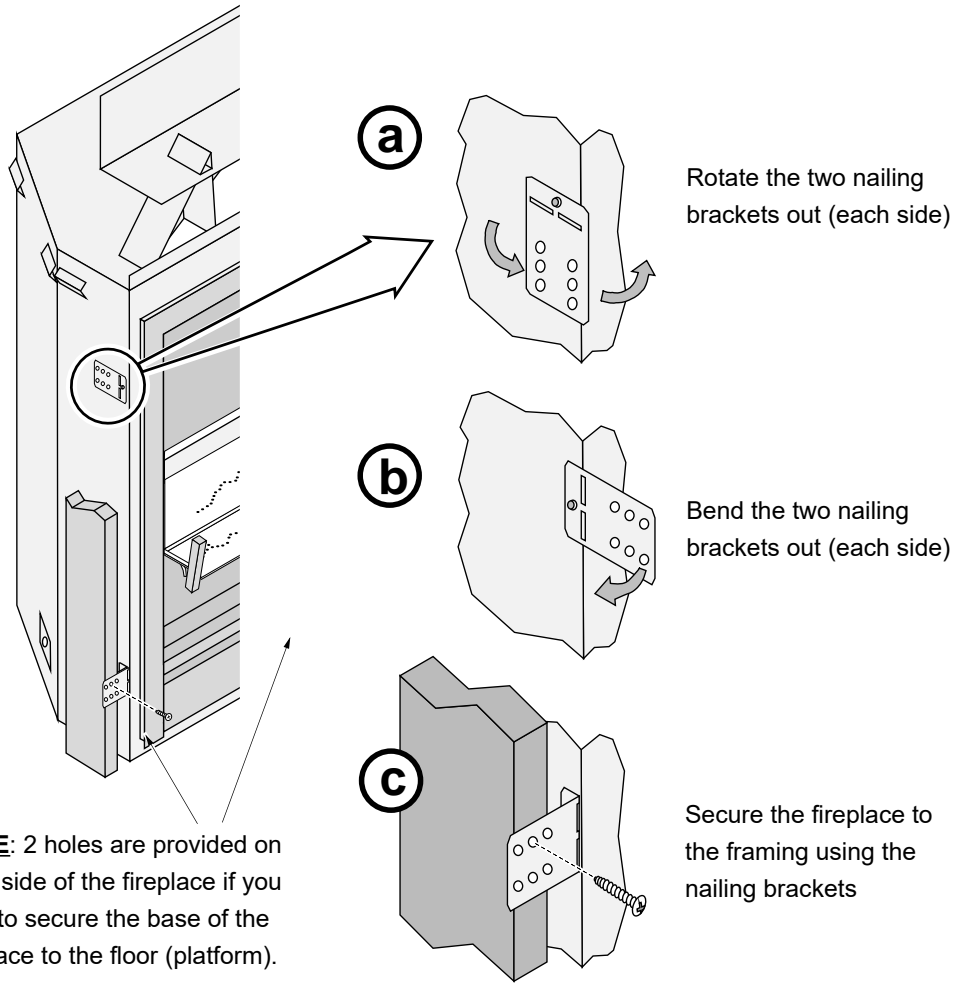
**a** The fireplace enclosure must be a minimum 61-7/8" (1572mm) tall. Do not build into the fireplace enclosure.

**Nailing Brackets**

The fireplace has nailing brackets on both sides. Secure the fireplace to the framing with the nailing brackets.

**NOTE:** Make sure the fireplace is square and plumb when placed in the framing. Measured corner-to-corner the fireplace should be square. Use shims to insure the fireplace is square.

**NOTE:** The nailing brackets have two positions: standard and extended. See the section “Facing Requirements” for details on which position is best for your installation.

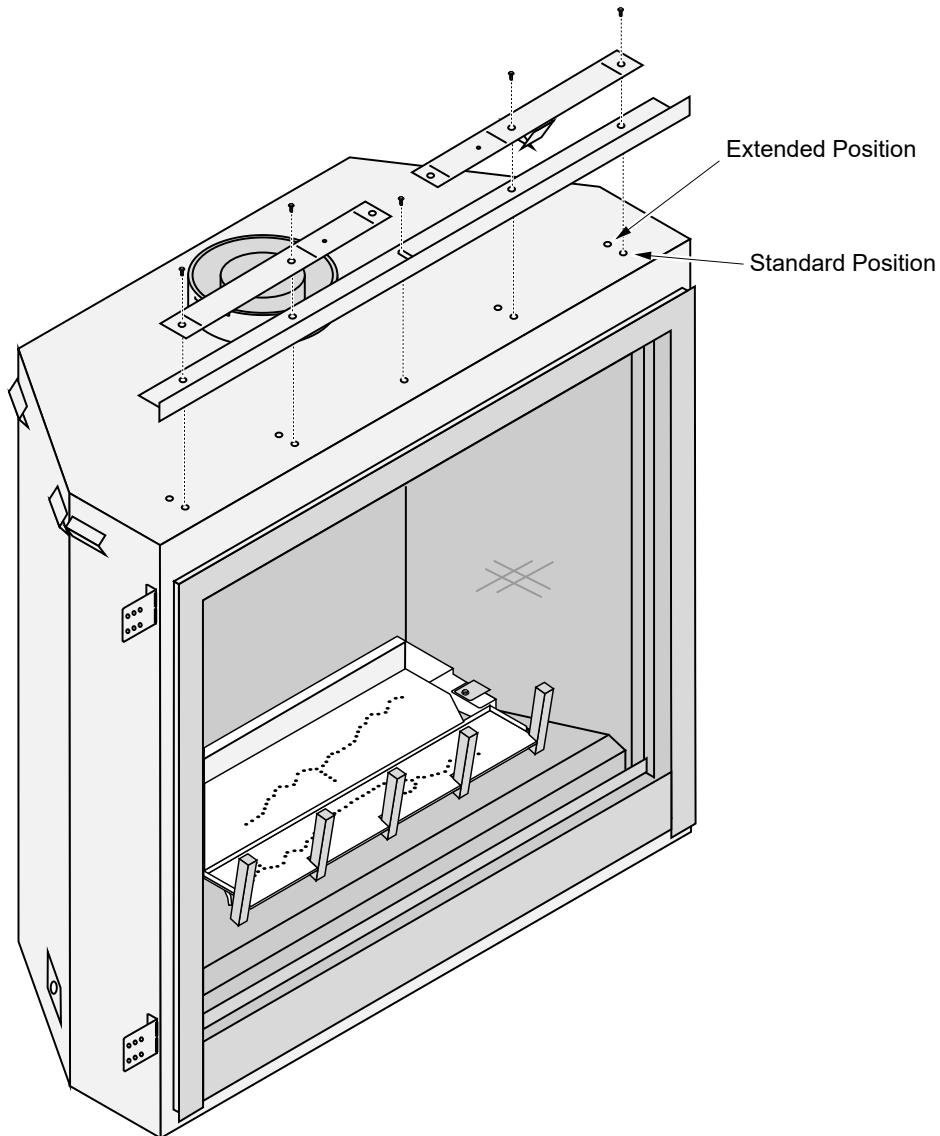


## ***Standard vs. Extended Position***

There are two positions that the standoff/heat shield assembly can be installed. The standoffs are shipped in the standard (forward) position.

- If the unit is installed in the standard position no modification is needed.
- If the unit is being installed in the extended position, the standoff/heat shield assembly must be repositioned back  $\frac{1}{2}$ " (see illustration below).

NOTE: see pages 10 & 32 for additional details about standard vs. extended installations.



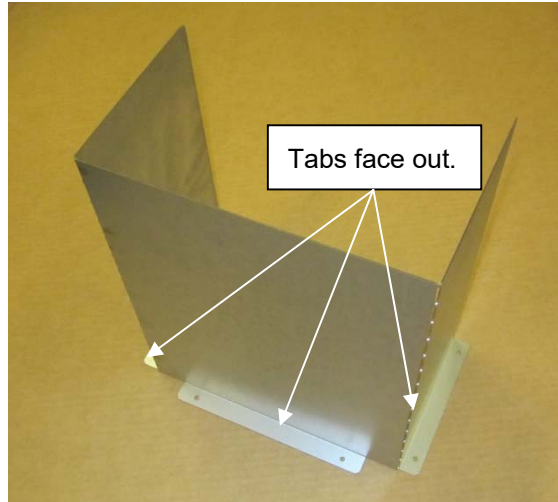
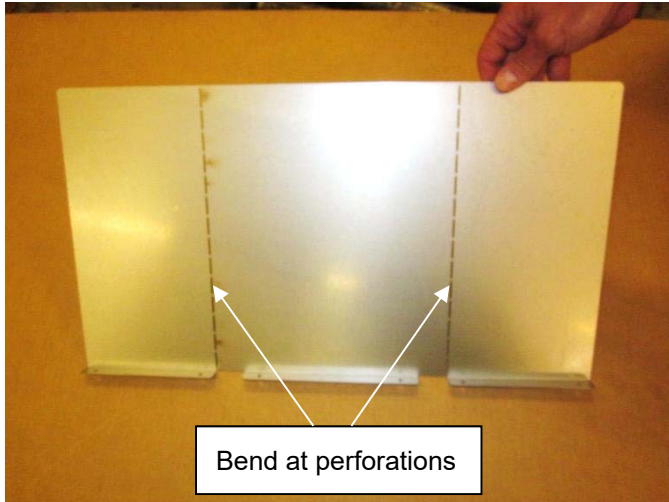
**Header and Pipe Shield Installation**

**The header and pipe shield must be installed as shown below.**

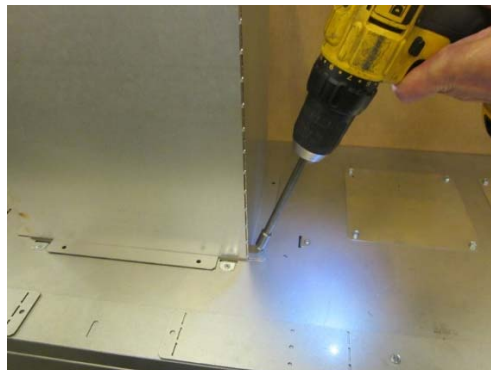
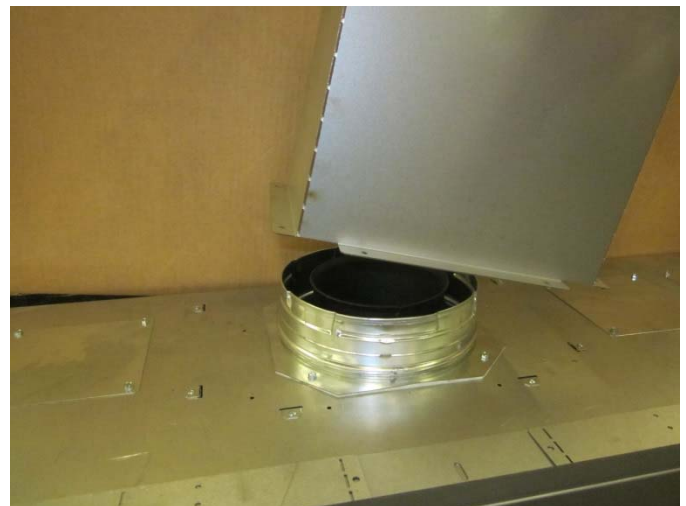
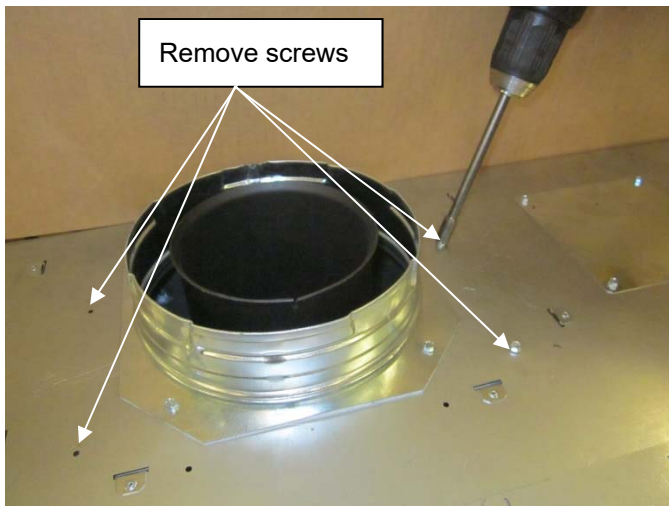
**NOTE:** The header and pipe shields may be installed after the fireplace is in place and vent attached (this allows for the fireplace to fit into the framing underneath the header and for the vent to be installed more easily).

- 1 At each of the perforations, bend the sides of the pipe shield backwards 90° as shown below.

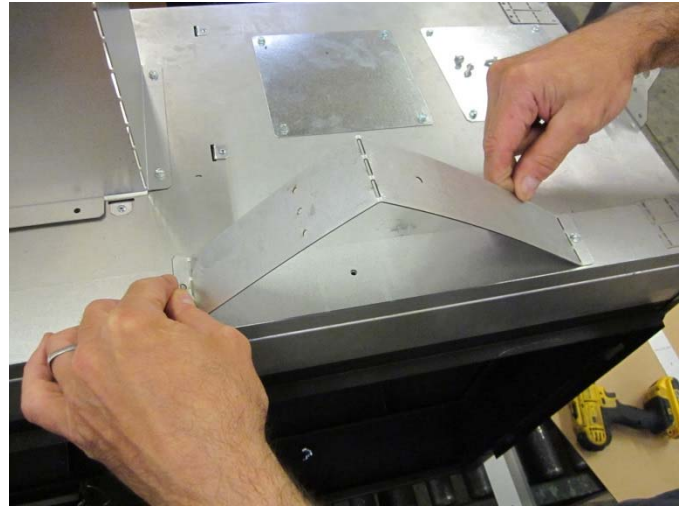
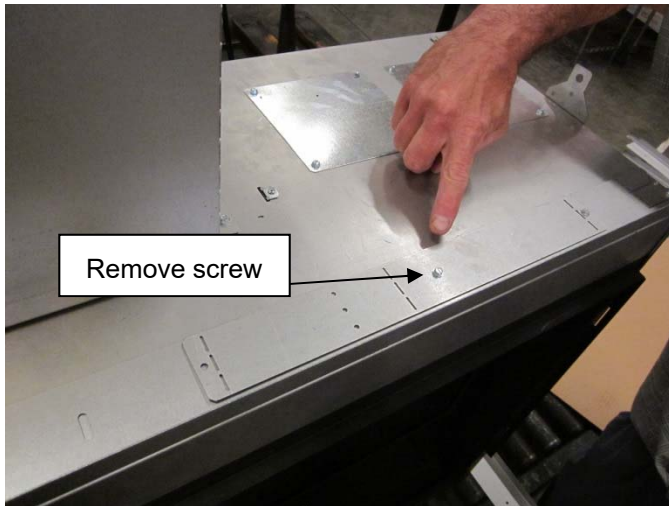
**NOTE:** The bottom flanges should be facing outward



- 2 Remove the (4) screws, (2) from each side of the starter collar. Line up the holes on the pipe shield tabs with the holes from the screws you just removed. Use the screws to attach the pipe shield to the top of the fireplace.



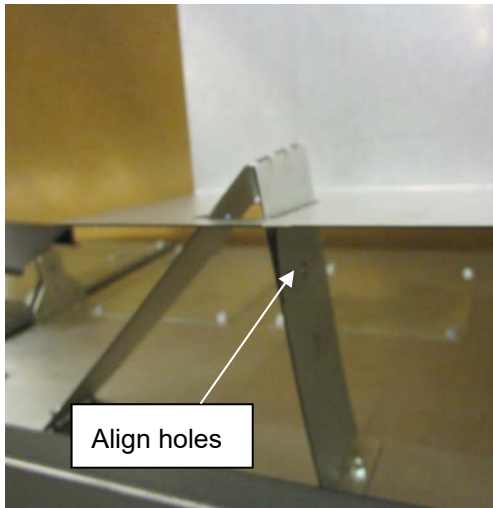
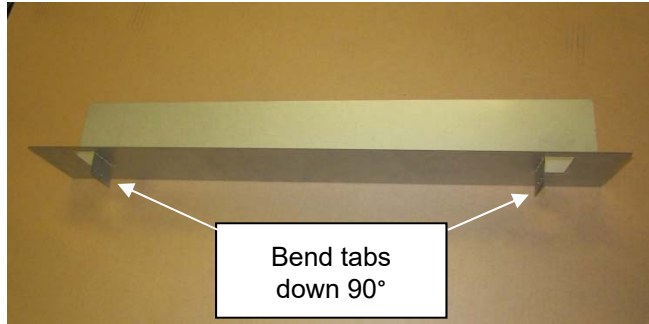
- The (2) header standoffs are screwed down flat to front edge of the top of the fireplace. On each standoff, remove the screw that is closest to the center of the fireplace (keep screw for reinstallation). Bend the legs at the perforations as shown below and attach the foot of the standoff to the top of the fireplace using the screw removed earlier in this step.



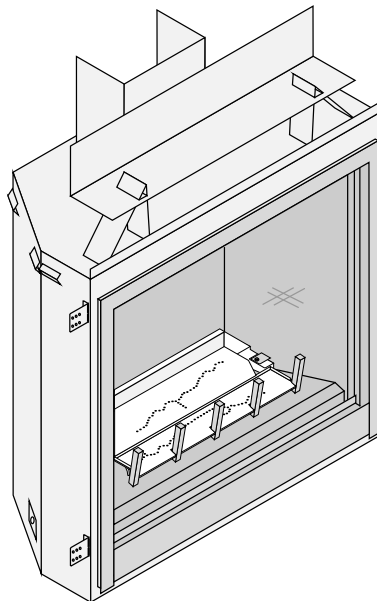
# 14

## Installation (for qualified installers only)

- 4 On the header shield, bend the two tabs downward approximately 90 degrees. Set the header shield onto the standoffs with the 90° bend facing the pipe shield. The tips of the standoffs will protrude through the heat shield. Attach the heat shield to the standoffs by aligning the holes on the heat shield tabs with the holes in the header standoffs and secure using the included screws



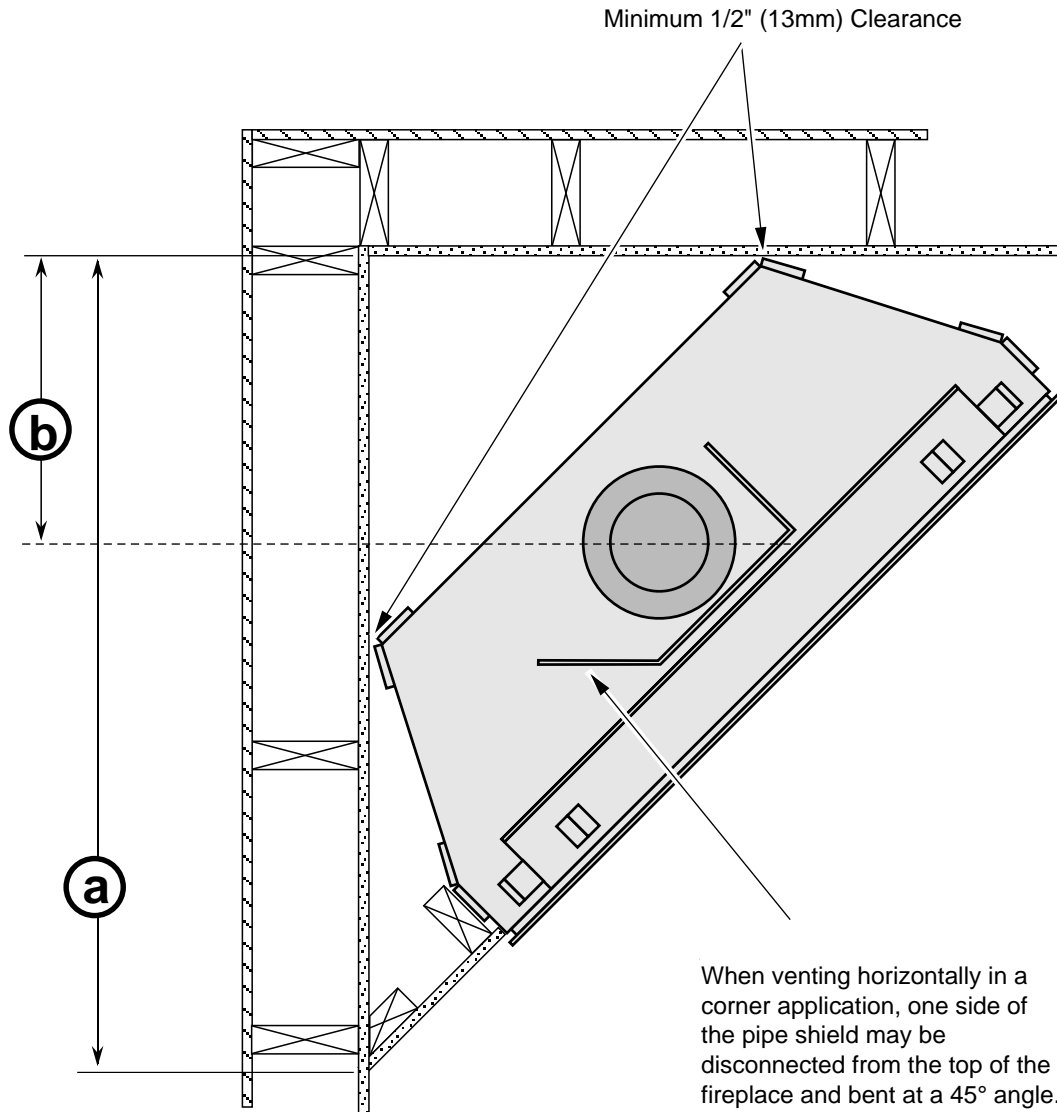
- 5 When finished the fireplace should be configured like the picture below.



## Corner Installations

A typical 45° installation uses the framing dimensions shown in the illustration below (NOTE: all clearances still apply).

	36 CF PB
(a) Corner to Wall (minimum)	38-1/2" (978mm)
(b) Corner to Center of Flue (typical)	13" (331mm)

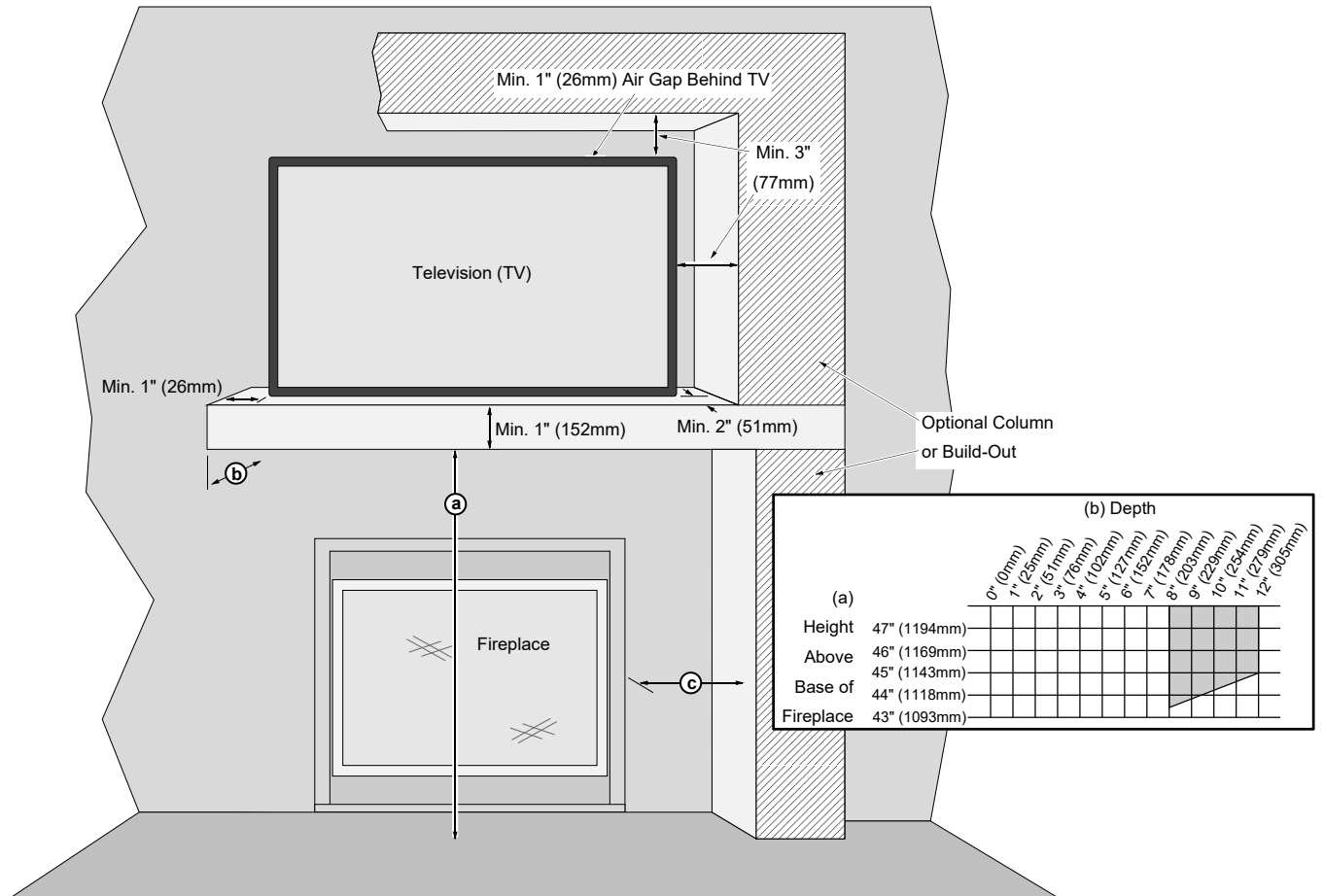


Televisions Placed Above the Fireplace

The following section gives guidelines to place a television above the fireplace.

**IMPORTANT NOTE REGARDING TELEVISIONS AND THIS FIREPLACE**

Most television manufacturers instruct the homeowner not to place the television above a heat source like this fireplace. Doing so may decrease the longevity of the television and negate the warranty. If you do place a television above the fireplace, you should place a mantel (or build-out) between the fireplace and television (or **use a CoolSmart TV Wall™ kit**). Follow the guidelines below to reduce the amount of heat reaching the television. Travis Industries does not take responsibility for any negative impact to televisions placed near this fireplace.



**Minimum Dimensions:**

(a) Minimum Mantel Height above Base of Fireplace*	43-1/2" (1106mm) with 8" (203mm) mantel depth*
(b) Mantel Depth*	Minimum 8" (203mm)*
(c) Optional Columns (or Build-Out)	Must Meet Side Wall Clearances (Measured to the side of fireplace ZC-can)

**\* Minimum mantel depth must be 8" (203mm) to allow heat to dissipate. If using a mantel larger than 8" (203mm, make sure to adjust the mantel height (a) to meet the mantel clearance (see mantel requirements and/or chart above).**

- The mantel must extend 2" (51mm) in front of the television and 1" (26mm) to both sides.
- If you have a television that is greater than 6" deep (including the 1" (26mm) gap behind), you will need to alter the mantel depth and height (see the example below).
- The television must have a 1" (26mm) gap to the wall to allow for proper cooling. Any build-out near the television must maintain a 3" (77mm) gap to the top and sides to prevent heat from being trapped near the television.

**EXAMPLE:** If you have a television that is 9" (229mm) deep (including the 1" (26mm) gap behind), the mantel must be 11" (280mm). The mantel height would need to be 44.5" (1156mm) above the base of the fireplace.

**WIRING NOTE:** If running wiring into the enclosure, you may wish to use thermal insulating wrap around the wiring. Secure the wiring to protect from contact with hot surfaces.



## Gas Line Requirements

- The gas line must be installed in accordance with all local codes and the requirements listed below. In the absence of local codes, follow ANSI 223.1 in US/Canada or AS/NZS 5601.1 in Australia.
- The fireplace and gas control valve must be disconnected from the gas supply piping during any pressure testing of that system at test pressures in excess of 1/2 psig (3.5 kPA). For pressures under 1/2 psig (3.5 kPA), isolate the gas supply piping by closing the manual shutoff valve.
- Leak test all gas line joints and the gas control valve prior to and after starting the fireplace.
- This unit has been listed using the included internal gas shutoff valve.

## Fuel

- This fireplace is designed either for natural gas or for propane (but not for both).

## Gas Line Connection

- Installation must be performed by a qualified installer, service agency or the gas supplier (In Massachusetts a licensed plumber/gasfitter).
- The gas inlet accepts 1/2" MPT.

## Gas Inlet Pressure

Gas Pressure	Max. Input Pressure	Min. Input Pressure	Max. Manifold Pressure	Min. Manifold Pressure
<b>Natural Gas</b>	7" W.C. (1.74 kPA)	5.5" W.C. (1.37 kPA)	3.7" W.C. (0.93 kPA)	1.1" W.C. (0.27 kPA)
<b>Propane</b>	13" W.C. (3.23 kPA)	11" W.C. (2.74 kPA)	10.6" W.C. (2.64 kPA)	2.9" W.C. (0.72 kPA)

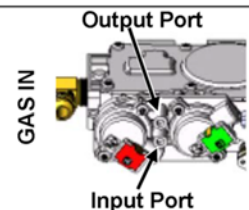
- If the pressure is not sufficient, make sure the piping used is large enough, the supply regulator is adequately adjusted, and the total gas load for the residence does not exceed the amount supplied.
- The supply regulator (the regulator that attaches directly to the residence inlet or to the propane tank) should supply gas at the suggested input pressure listed above. Contact the local gas supplier if the regulator is at an improper pressure.

### GSB2

#### Directions for Connecting a Gas Pressure Test Gauge

The gas control valve (shown to the right) has two test ports for testing input (line pressure) and output (manifold) pressure. Loosen the brass screw on either test port and place a 5/16" i.d. rubber or plastic tube over the tapered test port. Connect the tube to the test gauge.

**WARNING:** The brass screw must be tightened after testing to prevent gas leakage.



# 18

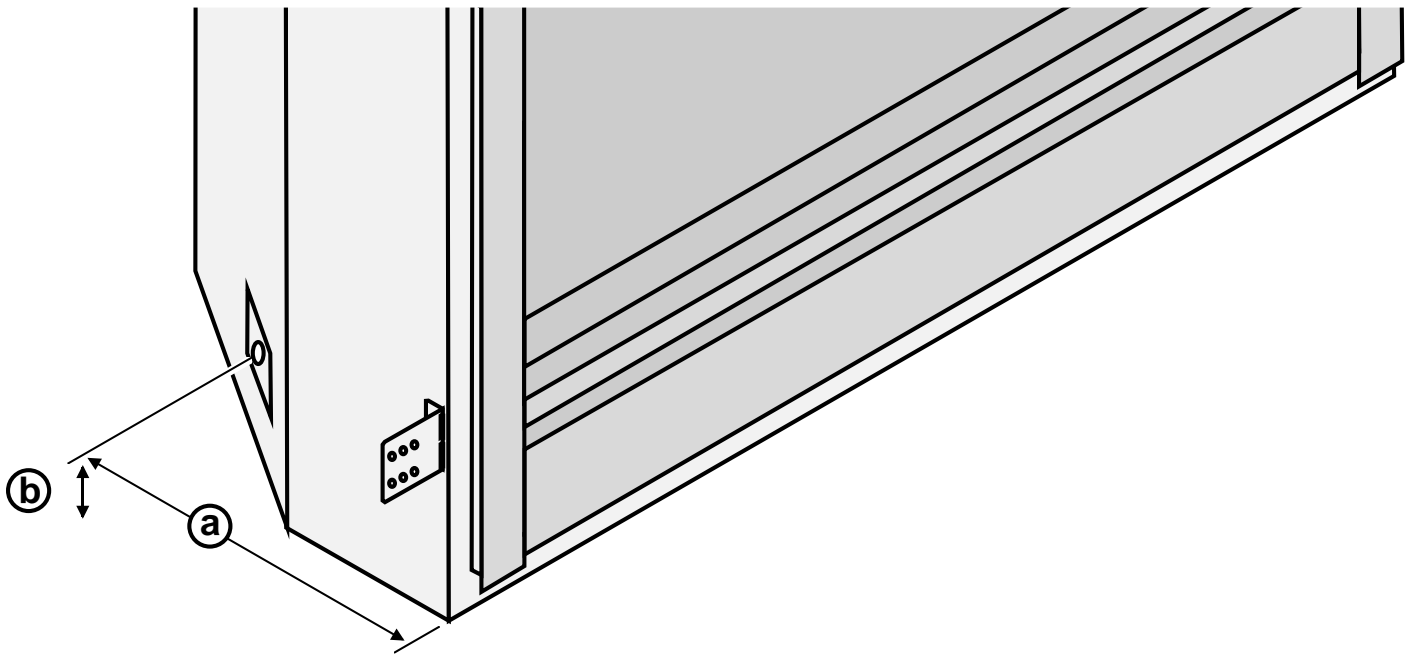
# Installation (for qualified installers only)

## Gas Line Location

**NOTE FOR RIGID PIPE:** When using rigid pipe, you may wish to disconnect the shutoff valve from the fireplace and route the pipe through the fireplace wall. First, disconnect the gas line from the shutoff valve. Disconnect the shutoff valve from the cover plate (4 screws outside fireplace). The pipe may be routed through the cover plate and the shutoff valve and gas line may be re-attached inside the fireplace.

- Gas line must be plumbed to the left side. See illustration and table below to determine gas line location.
- Fireplace accepts 1/2" MPT fitting.

	a	b
Left Side Gas Pass-Through Location	6-1/4" (159mm)	2-1/2" (64mm)



## Electrical Connection

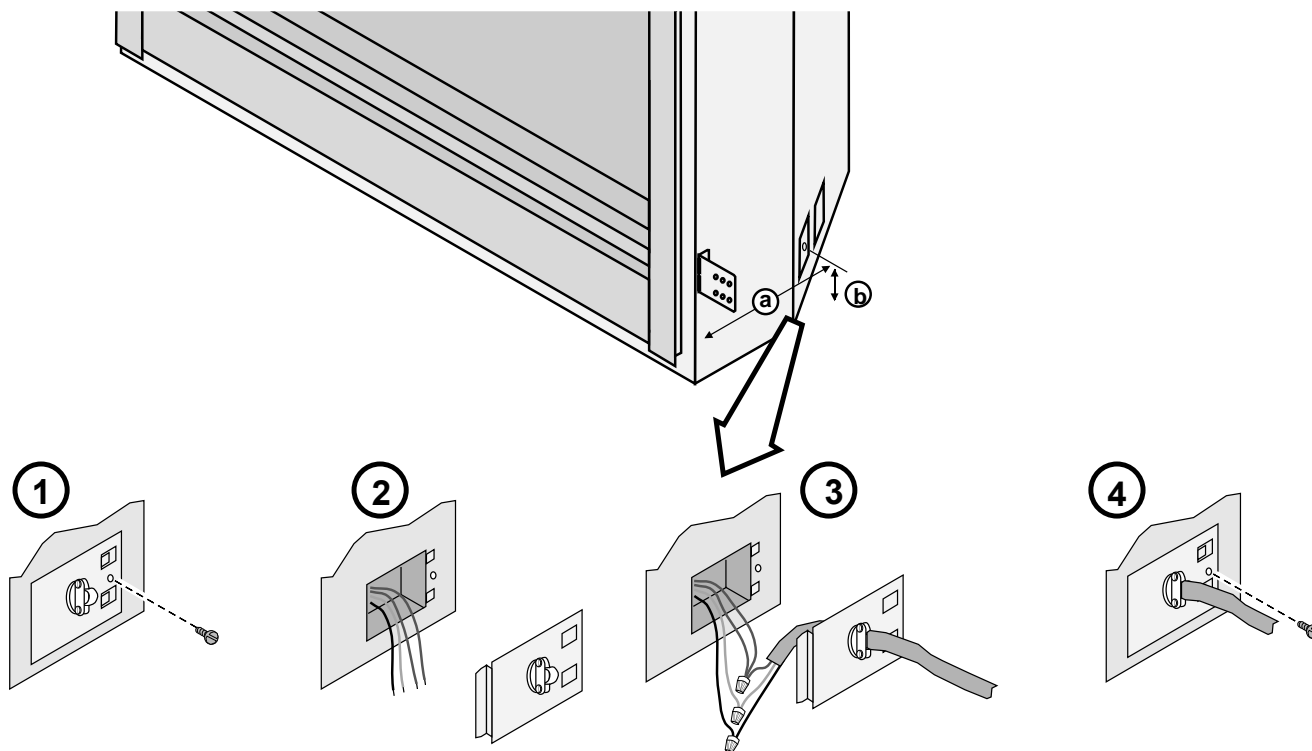
- The electrical line to the grounded receptacle inside the fireplace must be installed by a qualified installer and must meet all local codes.
- Make sure the household breaker is shut off prior to working on any electrical lines.
- The appliance, when installed, must be electrically grounded in accordance with local codes or, in the absence of local codes, with the National Electrical Code, ANSI/NFPA 70, or the Canadian Electrical Code, CSA C22.1.
- The electrical line must be a min. 14 gauge, and supply 240 Volts, 60 Hz, and 5.7 Amps.
- Route the electrical connection through the junction box cover plate and attach to the hookup wires pictured below.

**Caution:** Label all wires prior to disconnection when servicing controls. Wiring errors can cause improper and dangerous operation.



Do not connect 110-240 VAC to the gas control valve or wiring system of this fireplace.

	a	b
Electrical Junction Box Location	11" (280mm)	2-1/4" (58mm)



**Optional Wall Switch or Thermostat Installation**



Do not connect 110-240 VAC to the gas control valve or wiring system of this fireplace. The switch and wiring must be installed by a qualified installer.

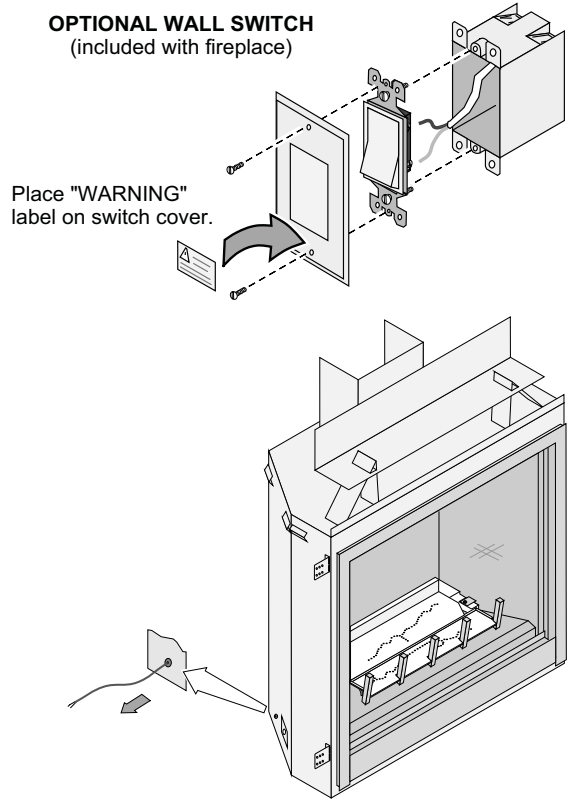
This fireplace includes an optional wall switch (with wire) to operate the fireplace burner without accessing the internal on/off switch. A thermostat may be used instead.

Route the wire from inside the fireplace, through the grommet on either side of the fireplace (see illustration to the right) to the switch. The wall switch (or thermostat) may bypass the fireplace on/off switch or be installed in parallel or series configuration (see below).

**Caution:** Label all wires prior to disconnection when servicing controls. Wiring errors can cause improper and dangerous operation.

**Warning:** Make sure all wiring is secure and does not contact hot or moving components.

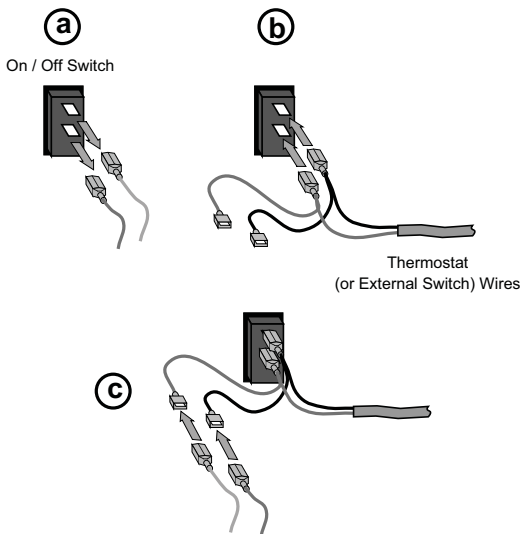
**OPTIONAL WALL SWITCH**  
(included with fireplace)



**Parallel Connection**

	On / Off Switch <b>ON</b>	On / Off Switch <b>OFF</b>
Thermostat / External Switch <b>ON</b>	Heater is <b>ON</b>	Heater is <b>ON</b>
Thermostat / External Switch <b>OFF</b>	Heater is <b>ON</b>	Heater is <b>OFF</b>

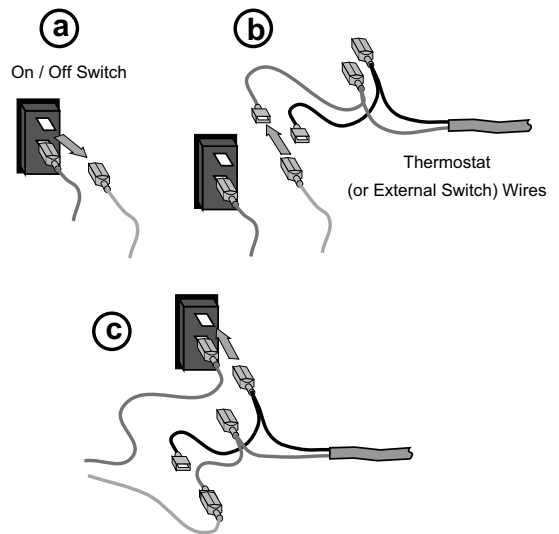
To wire the heater in parallel, follow the directions below:



**Series Connection**

	On / Off Switch <b>ON</b>	On / Off Switch <b>OFF</b>
Thermostat / External Switch <b>ON</b>	Heater is <b>ON</b>	Heater is <b>OFF</b>
Thermostat / External Switch <b>OFF</b>	Heater is <b>OFF</b>	Heater is <b>OFF</b>

To wire the heater in series, follow the directions below:



## Vent Requirements

- The gas appliance and vent system must be vented directly to the outside of the building, and never be attached to a chimney serving a separate solid fuel or gas-burning appliance. Each direct vent gas appliance must use its own separate vent system.
- In addition to the requirements listed here, follow the requirements provided with the vent.

### Drafting Performance

This direct vent appliance requires natural draft to operate (similar to a wood stove or other heating appliance). Draft can be adjusted using the included restrictor. The restrictor settings detailed in the manual should be followed (variations may occur depending upon installation parameters).

Many factors may negatively influence the draft of the appliance. Travis Industries will not be responsible for improper draft due to factors such as trees, hills, buildings, obstructions, excessive wind, extreme hot or cold outdoor temperatures, restrictive vent terminations, or influence from mechanical systems.

## Vent Clearances

- The vent must maintain the required clearance to combustible materials to prevent a fire. Do not fill air spaces with insulation.

### Minimum Vent Configurations (see page 24)

Minimum Clearance Above Vent	1" (26mm)
Minimum Clearance to Sides & Below Vent	1" (26mm)

NOTE: Make sure to use the included wall thimble with this configuration.

### All Other Vent Configurations

Minimum Clearance to Vent	1" (26mm)
---------------------------	-----------

## Vent Firestop or Thimble

- A firestop or thimble is required whenever the vent penetrates a wall, floor, or ceiling (passes through framing members). See vent charts on page 24 and 26 for details

## Altitude Considerations

- This heater complies with CSA 2.17-2017 "Gas-Fired appliances for use at high altitudes". This heater has been tested at altitudes ranging from sea level to 4,800 feet (1370 M). In this testing we have found that the heater, with its standard orifice, burns correctly with just an air shutter adjustment.
- Failure to adjust the air shutter properly may lead to improper combustion which can create a safety hazard. Consult your dealer or installer if you suspect an improperly adjusted air shutter.

## Approved Termination

- Always use the high-wind cap (part # 46DVA-HC, 58DVA-HC, 46DVA-VCH, or 58DVA-VCH). The **high-wind scone cap is not allowed**.

## Approved Vent

- Installation instructions for Simpson Dura-Vent may be found at [www.duravent.com](http://www.duravent.com).

### Minimum Vent Configurations (see page 24)

Use 8" diameter Simpson Dura-Vent Model Direct-Vent Pro (or GS)\*.

### All Other Vent Configurations

Use 8" or 6-5/8" diameter Simpson Dura-Vent Model Direct-Vent Pro (or GS)\* (see vent configuration for details).

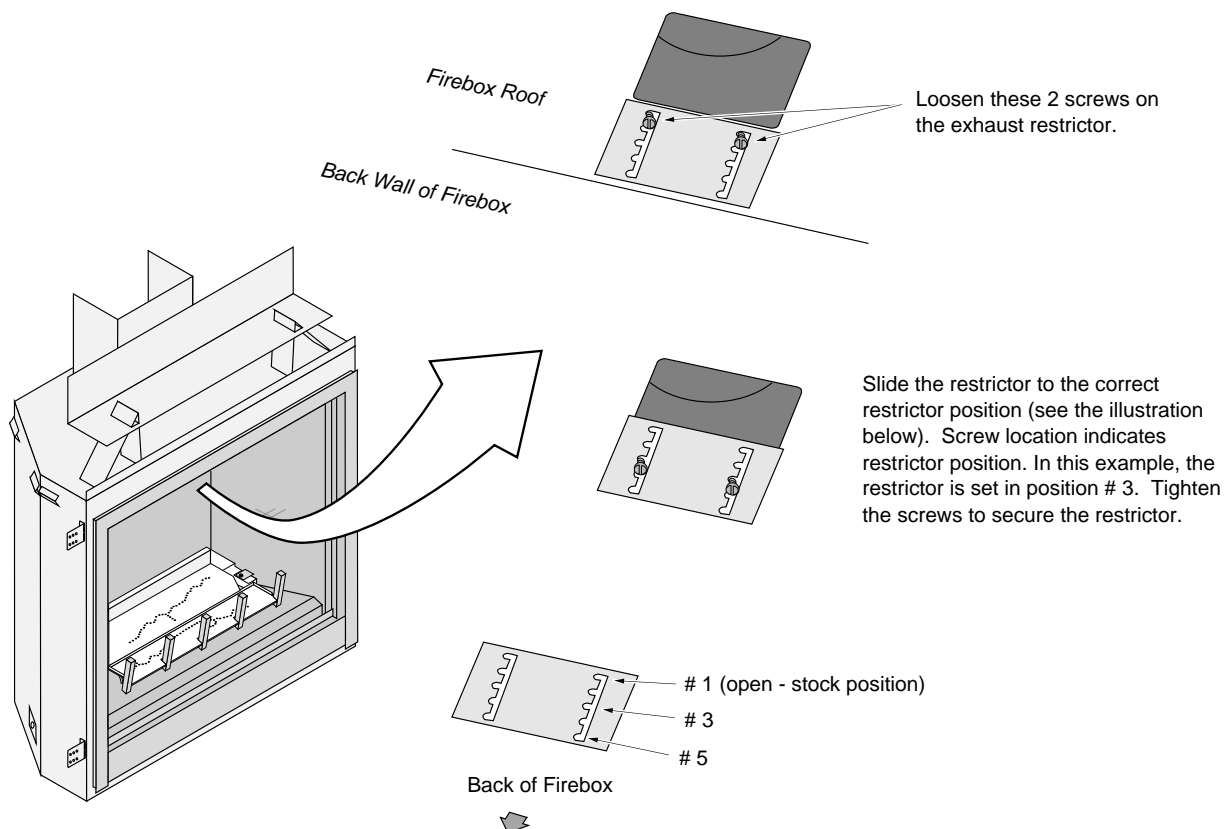
\* Other vent may be approved with this fireplace. Check with the vent manufacturer for details).

## Vent Installation

- Slide the vent sections together and turn 1/4 turn until the sections lock in place.
- Screws are not required to secure the vent. However, three screws may be used to secure vent sections together if desired.
- High temperature sealant is recommended at the appliance starter section connection (use high-temperature silicone or Mill-Pac®).
- If disassembly is required, at time of re-assembly check to see if the vent creates a tight fit. If it does not, apply high temperature sealant to the joints of the affected sections.
- Horizontal sections require a 1/4" (6mm) rise every 12" (305mm) of travel.
- Horizontal sections require non-combustible support every three feet (e.g.: plumbing strap).
- Vent termination must not be located where it can become plugged by snow or other material.
- Use the vinyl siding standoff when installing on a structure with vinyl siding.
- Venting termination shall not be recessed into a wall or siding.

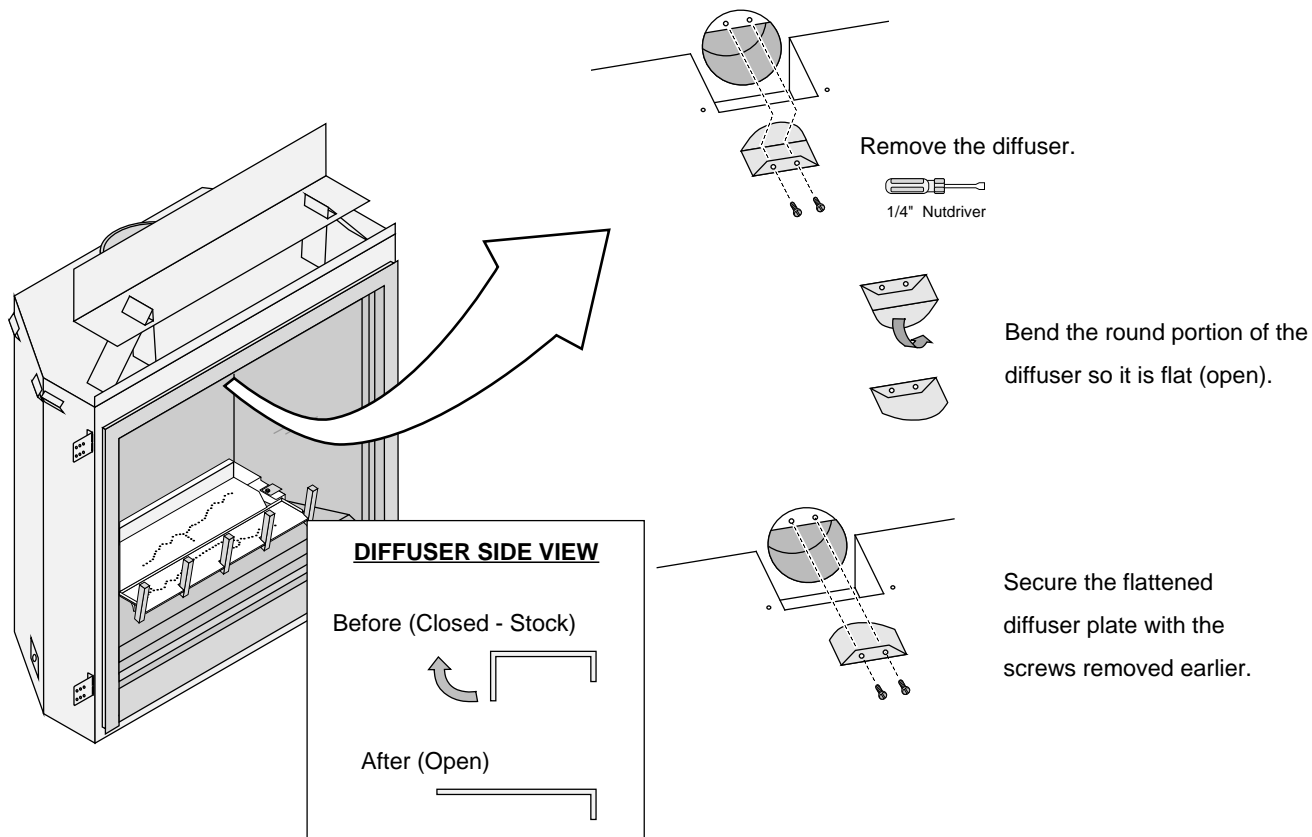
## Exhaust Restrictor Position

- An exhaust restrictor is built into the appliance to adjust the flow rate of exhaust gases. Depending upon the vent configuration, you may be required to adjust the restrictor position. The charts for vent configurations detail the correct restrictor position.



## Diffuser

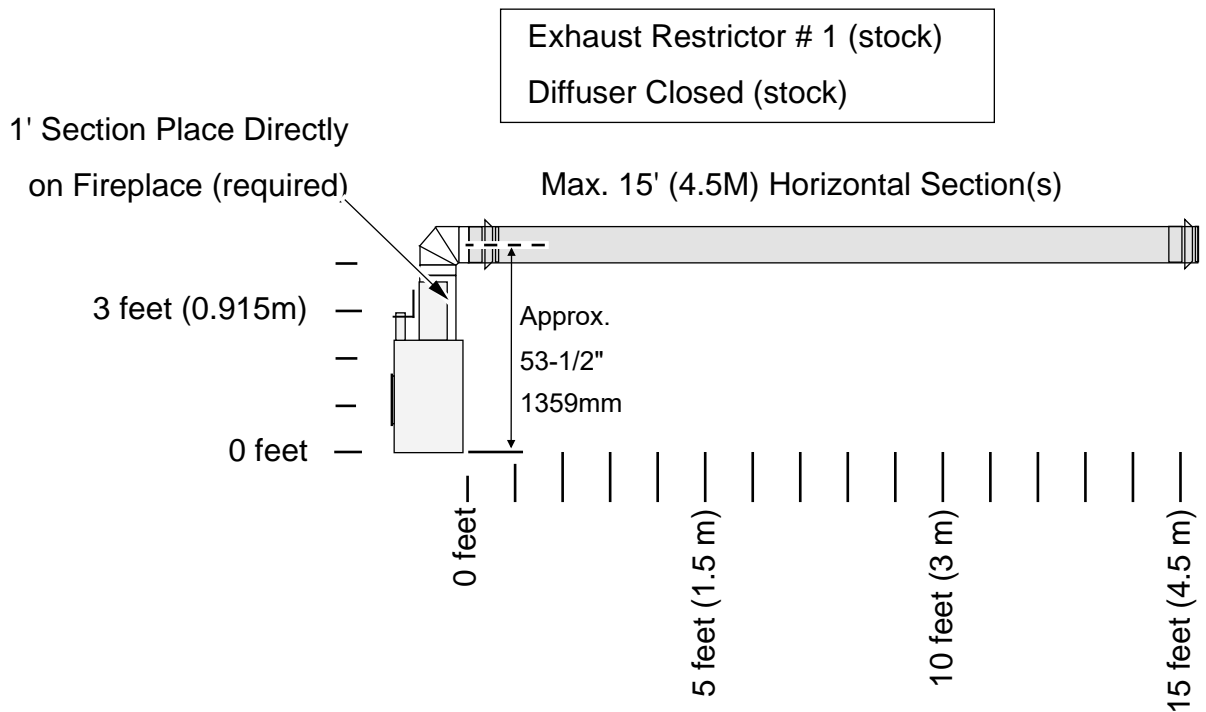
- A diffuser is built into the appliance to adjust the flow rate of exhaust gases. Depending upon the vent configuration, you may be required to adjust the diffuser to the open position (see illustration below). The charts for vent configurations detail the correct diffuser position.



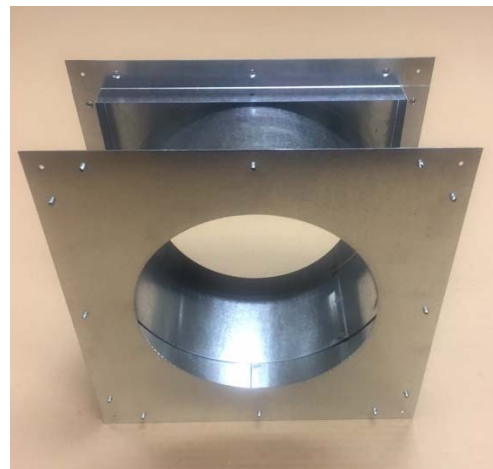
## Vent Configurations

### Minimum Vent Configuration

- **Use 5x8" Diameter Coaxial Vent**
- **NOTE:** Use the included thimble assembly whenever passing through a wall. (use on front and back of wall penetration). See picture below.
- The termination must fall within the shaded area shown in the chart. Use the indicated restrictor positions.
- One 45° elbow may be used on the horizontal run.
- **HINT:** Use minimum vent kit "H" (96200332) from Travis Industries (additional vent may be required).



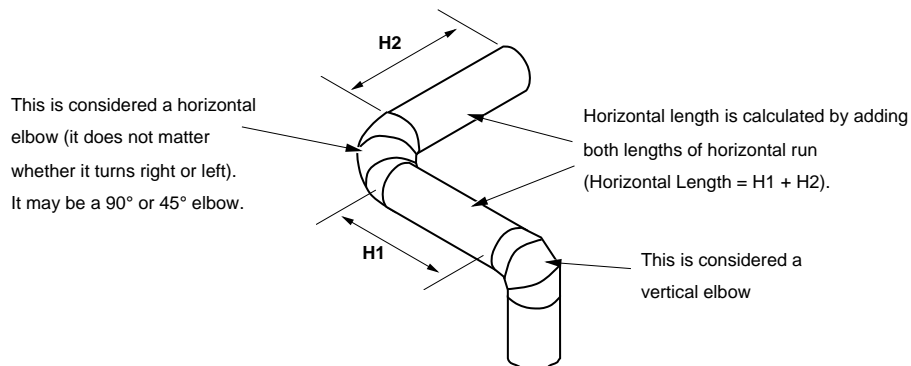
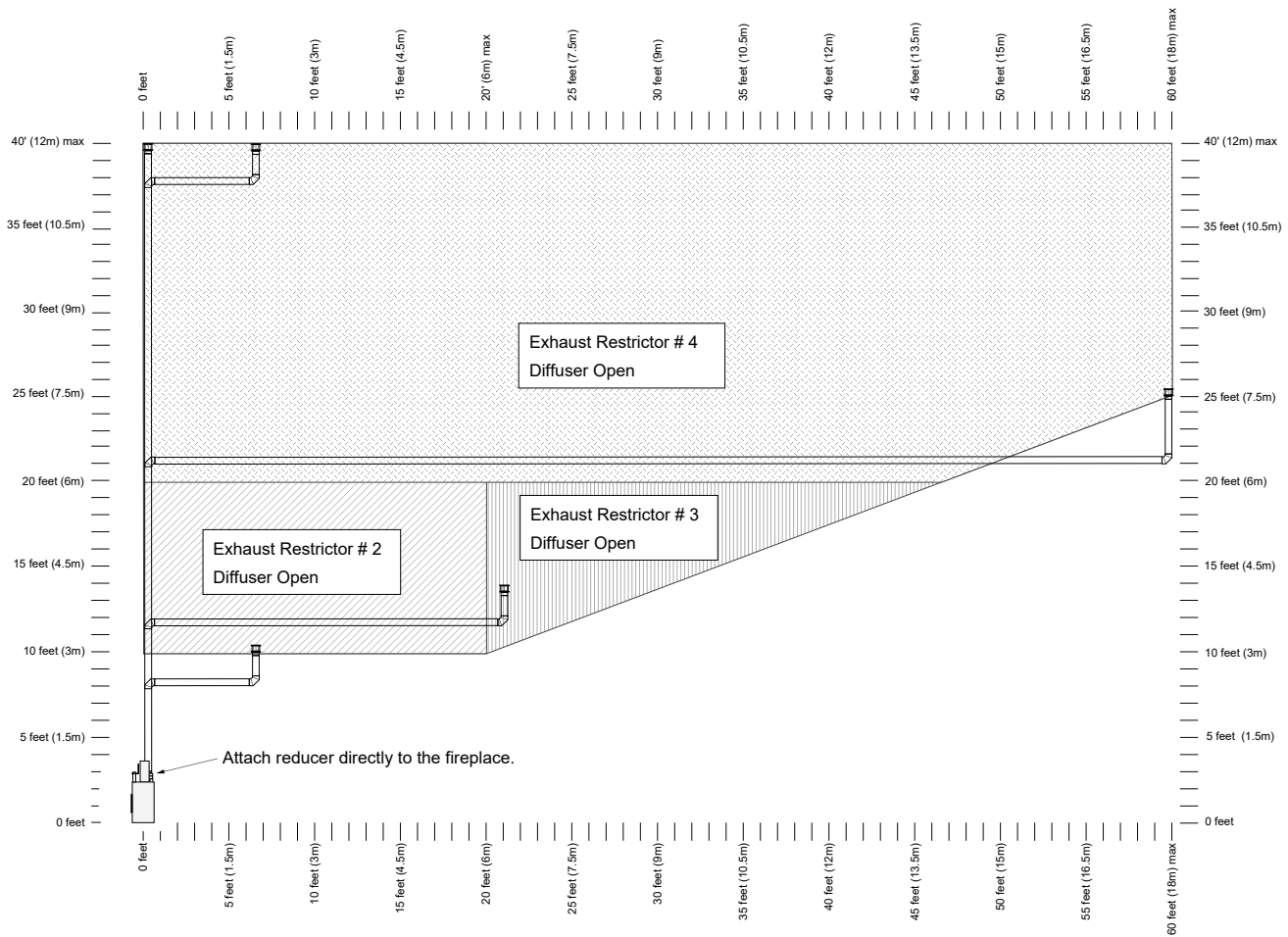
Use the included wall thimble when penetrating a wall. Part #96200101





## Vent Configuration: Vertical Termination

- **Use 4x6-5/8" Diameter Coaxial Vent. Connect a 8" to 6-5/8" reducer directly to the fireplace (sku 98900165).**
- **NOTE:** The included thimble assembly is not required and may be discarded.
- The termination must fall within the shaded area shown in the chart. Use the indicated restrictor positions.
- Up to four elbows (45° or 90°) may be used. Only one horizontal elbow may be used.



Vent Configuration: Horizontal Termination with Vertical Rise

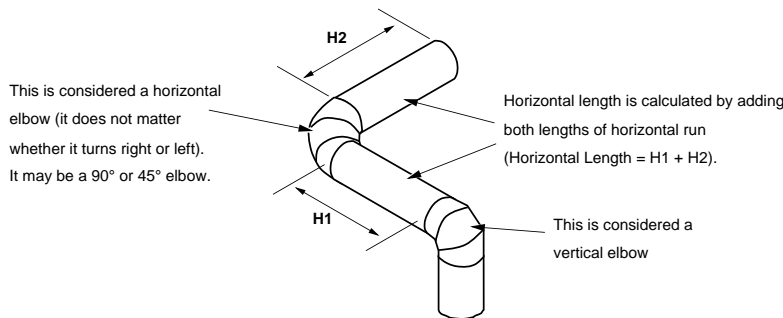
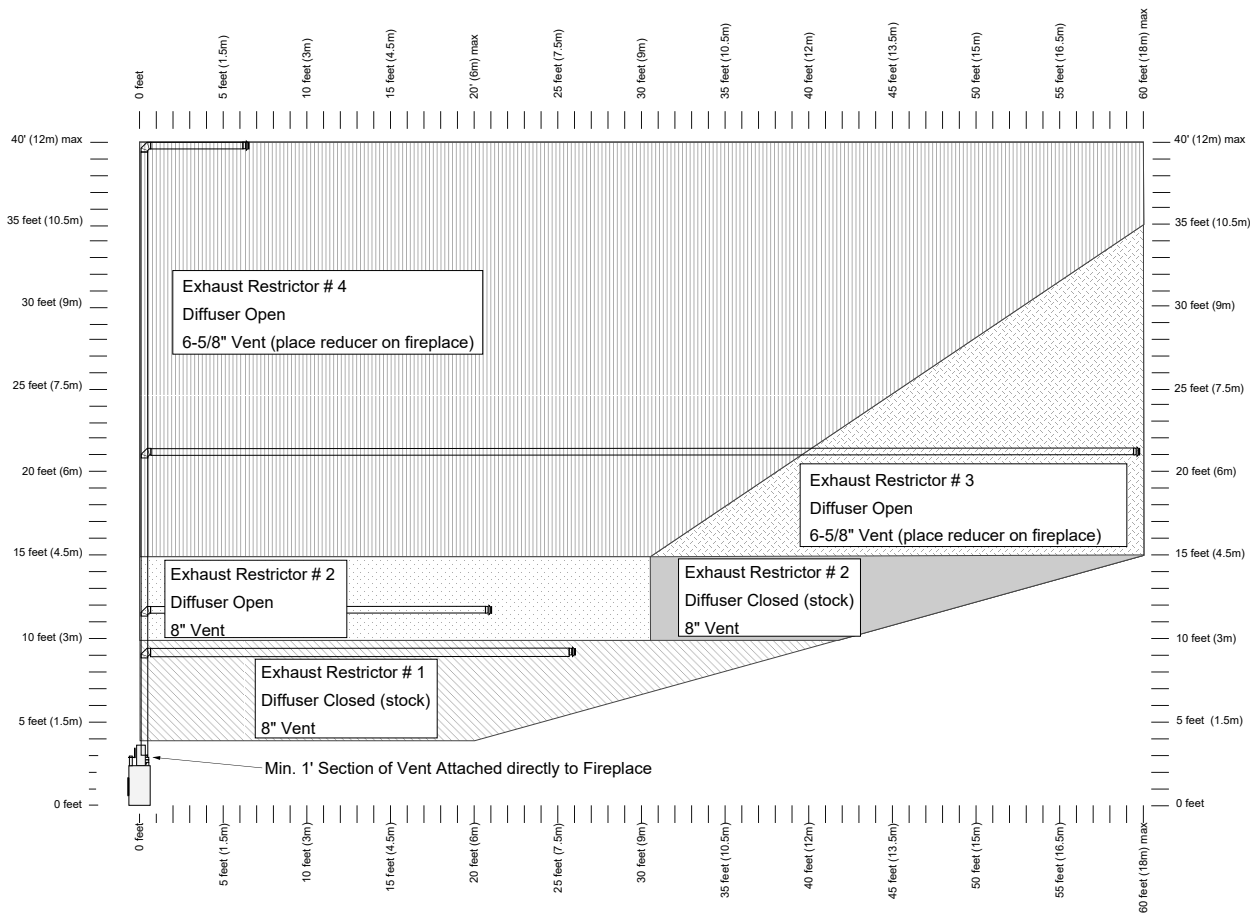
- **Vent configurations 15' or above (from the base of the fireplace) use 6-5/8" dia. vent. Connect a 8" to 6-5/8" reducer directly to the fireplace (98900165).**

**NOTE:** For this configuration, the included thimble assembly is not required and may be discarded.

- **Vent configurations under 15' (from the base of the fireplace) use 8" dia. Vent.**

**NOTE:** For this configuration, the included thimble assembly may be used or use a firestop (not included).

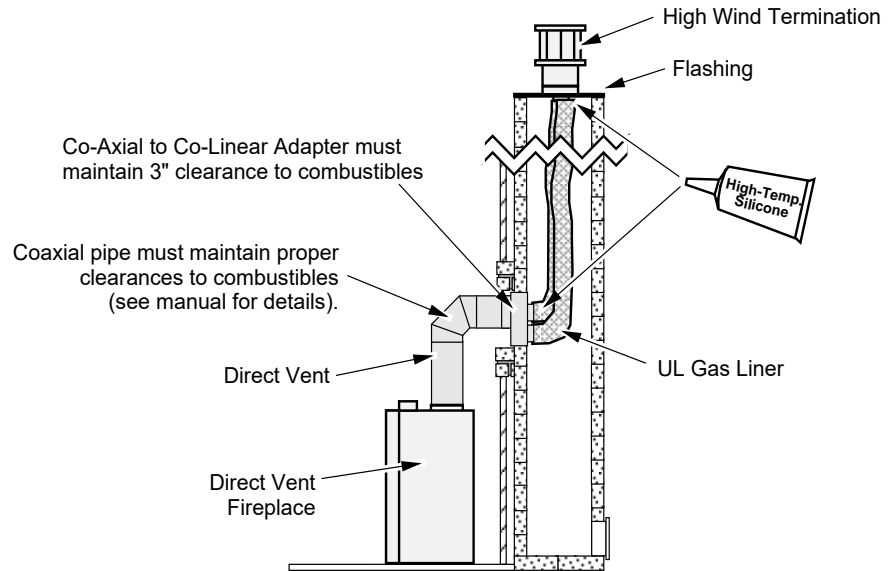
- The termination must fall within the shaded area shown in the chart. Use the indicated restrictor positions.
- Up to four elbows (45° or 90°) may be used. Only one horizontal elbow may be used.



## Masonry Chimney Conversions

This appliance may utilize 6-5/8" diameter direct vent manufactured by Duravent (reducer may be required). The vent may be adapted to utilize an existing masonry fireplace using the Duravent Co-Linear Adapter (46DVA-GCL or TCL). The vent must be installed following all directions included with the vent and those listed below:

- All requirements in the appliance manual must be met. This includes compliance with vent configuration charts.
- The restrictor position should be set to the position that most closely resembles the vent configuration. NOTE: because this installation utilizes non-standard vent, the restrictor position may vary. Carefully monitor the burn characteristics to verify correct restrictor position.
- The UL gas liner must only be run through the fireplace/chimney (entire length of liner must be retained within the fireplace/chimney). Do not run the liner near combustibles.



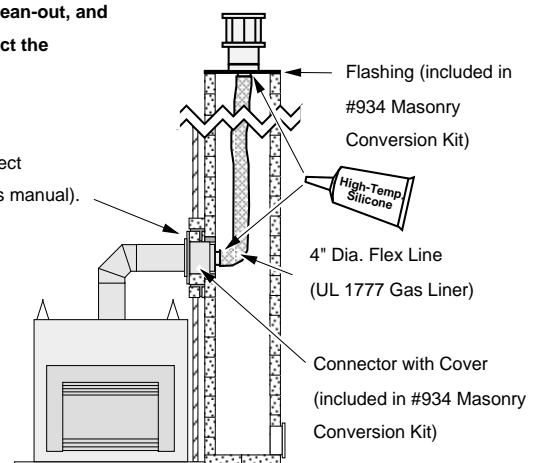
This appliance may utilize 6-5/8" diameter direct vent manufactured by Duravent (reducer may be required). The vent may be adapted to utilize an existing masonry fireplace using the Duravent Masonry Chimney Conversion Kit (part # 46DVA-KCT). The vent must be installed following all directions included with the vent and those listed below:

**NOTE:** Before proceeding with the following installation example, check with the local building jurisdiction to verify that this type of installation is allowed in your area.

- All requirements in the appliance manual must be met. This includes compliance with vent configuration charts.
- The restrictor position should be set to the position that most closely resembles the vent configuration. NOTE: because this installation utilizes non-standard vent, the restrictor position may vary. Carefully monitor the burn characteristics to verify correct restrictor position.
- The UL gas liner must only be run through the fireplace/chimney (entire length of liner must be retained within the fireplace/chimney). Do not run the liner near combustibles.

The entire chimney system must be air-tight.  
Make sure to seal the flashing, clean-out, and thimble connection, and to inspect the chimney.

Make sure the coaxial pipe maintains the correct clearance to any combustible (see the owner's manual).  
The vent must be sealed air-tight.



## Class A Chimney Conversion

DuraVent provides a conversion kit for those wishing to use an existing class A chimney to vent this direct fireplace. The illustration below gives an overview of this type of installation. See the instructions included with the kit for details.

- All requirements in the appliance manual must be met. This includes compliance with vent configuration charts. Remember to set the restrictor position to the correct position (based upon the vertical rise height - see the vent charts in the appliance manual).
- These conversion kits does not work on interior masonry chimneys.
- The measurements below refer to the Chimney Inside Diameter

### Chimney Conversion Kit A (46DVA-KCA)

6" DuraTech  
6" Security Chimney  
6" Metalbestos  
6" Jackes-Evans  
6" Hart & Cooley  
6" Pro-Jet

### Chimney Conversion Kit B (46DVA-KCB)

6" DuraPlus  
7"-8" DuraTech  
8" Security Chimneys  
7"-8" Metalbestos  
7"-8" Jackes-Evans  
7"-8" Hart & Cooley  
7"-8" Pro-Jet  
6"-7" Amer. Metals  
6"-7" Metal-Fab  
6" Air-Jet

### Chimney Conversion Kit C (46DVA-KCC)

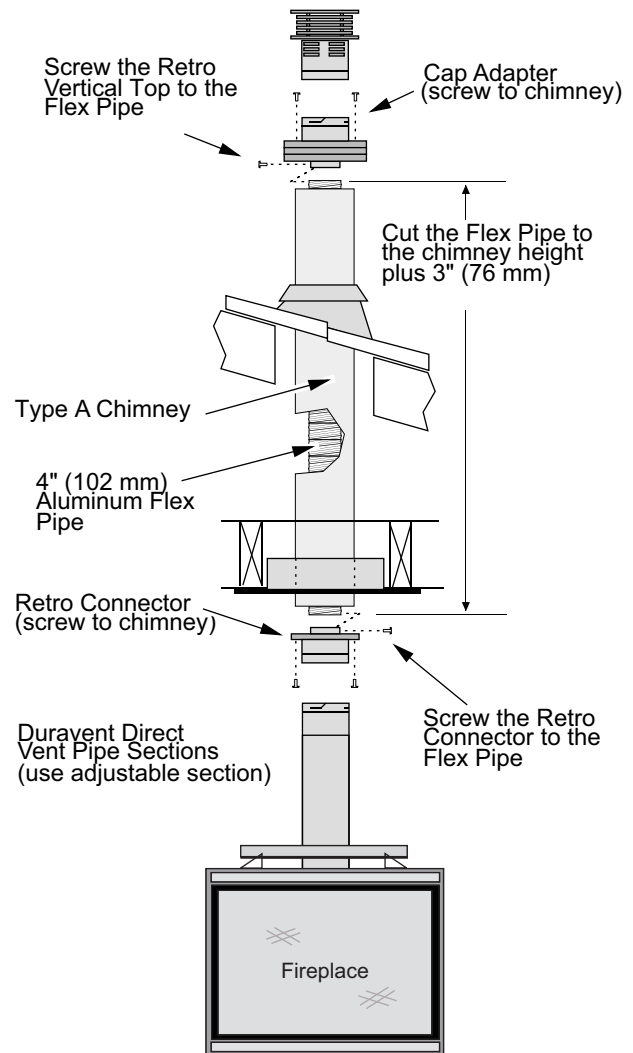
7"-8" DuraPlus  
8" American Metals  
8" Air-Jet  
8" Metal-Fab

#### Each Kit Contains:

Cap Adapter  
Retro Connector

#### Additional Required Equipment:

4" Flex (#711 or U.L. 1777)  
Termination (46DVA-VCH)  
Co-Axial Sections

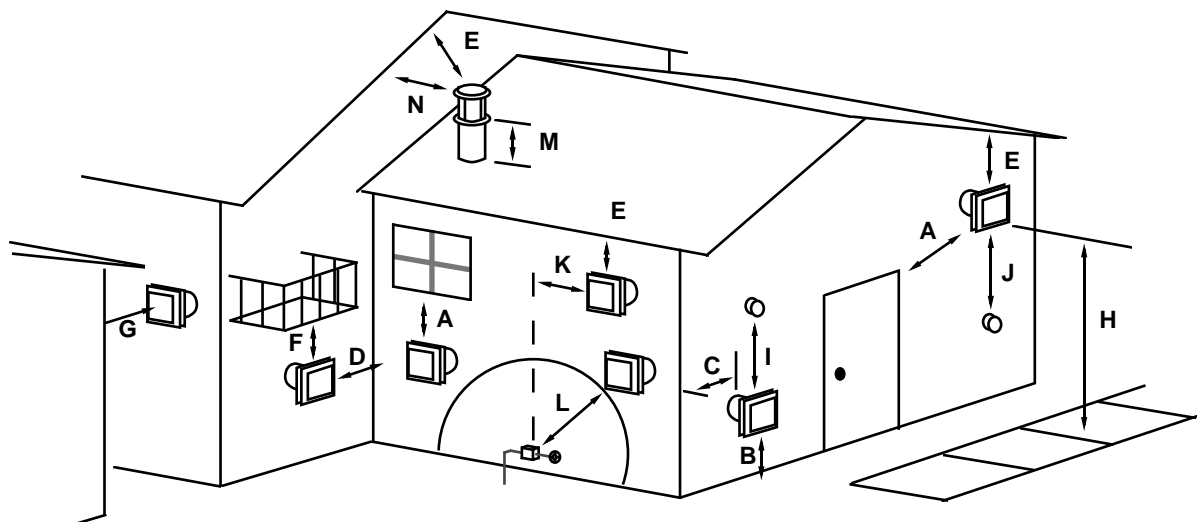
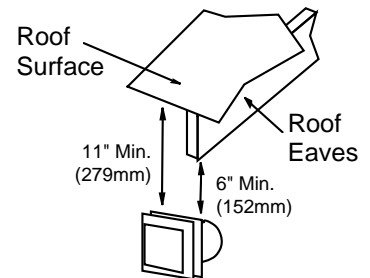


## Termination Requirements

### Vent Terminations Must Comply with AS/NZS 5601.1

**! Venting terminals shall not be recessed into a wall or siding.**

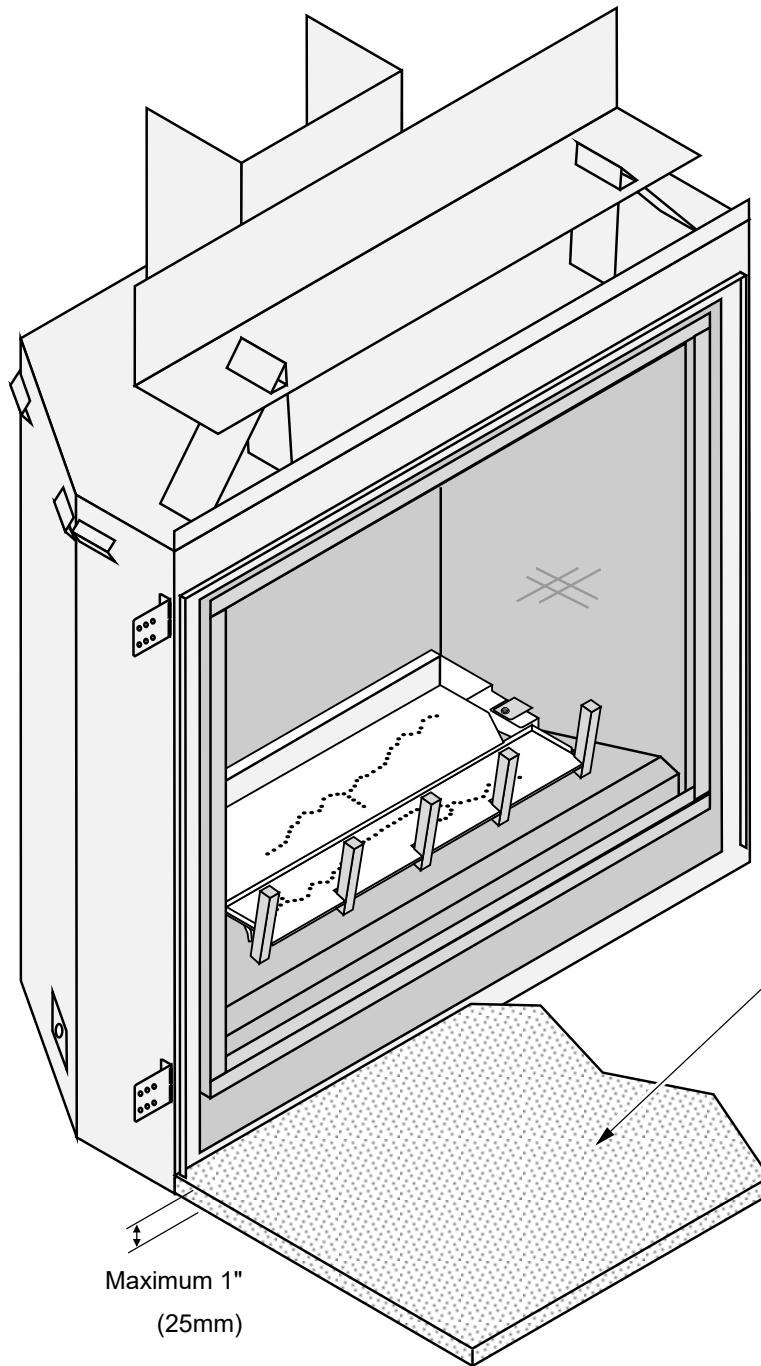
- A Minimum 9" (229mm) clearance from any door or window
- B Minimum 12" (305mm) above any grade, veranda, porch, deck or balcony
- C Minimum 1" (25mm) from outside corner walls  
**NOTE:** Clearance in accordance with local installation codes and the requirements of the gas supplier.
- D Minimum 1" (25mm) from inside corner walls  
**NOTE:** Clearance in accordance with local installation codes and the requirements of the gas supplier.
- E Minimum 11" (279mm) clearance below unventilated soffits or roof surfaces  
Minimum 18" (457mm) clearance below ventilated soffits  
Minimum 6" (152mm) clearance below roof eaves  
**NOTE:** Vinyl surfaces require 24" (610mm)  
**NOTE:** Clearance in accordance with local installation codes and the requirements of the gas supplier.
- F Minimum 12" (305mm) clearance below a veranda, porch, deck or balcony  
**NOTE:** Permitted only if veranda, porch, deck, or balcony is fully open on a minimum of two sides beneath the floor.  
**NOTE:** Clearance in accordance with local installation codes and the requirements of the gas supplier.
- G Minimum 48" (1219mm) clearance from any adjacent building
- H Minimum 84" (2134mm) clearance above any grade when adjacent to public walkways or driveways  
**NOTE:** may not be used over a walkway or driveway shared by an adjacent building
- I Minimum 9" (229mm) clearance to any non-mechanical air supply inlet to the building or the combustion air inlet to any other appliance.
- J Minimum 36" (914mm) clearance above any mechanical air supply inlet if within 10' (3M) horizontally
- K Minimum 36" (914mm) from the area above the meter/regulator (vent outlet) - this extends 15' (4.5M) above the regulator  
**NOTE:** Clearance in accordance with local installation codes and the requirements of the gas supplier.
- L Minimum 36" (914mm) from the meter/regulator (vent outlet)  
**NOTE:** Clearance in accordance with local installation codes and the requirements of the gas supplier.
- M Minimum 12" (305mm) above the roof line (for vertical terminations)
- N Minimum 24" (610mm) horizontal clearance to any surface (such as an exterior wall) – for vertical terminations



**NOTE: Measure clearances to the nearest edge of the exhaust hood.**

### Hearth Requirements

- If installed near carpet or other combustible, the fireplace must be raised so the base of the unit is above the carpet surface or flooring material. If the heater is installed at floor level, we recommend a non-combustible hearth to protect the flooring surface from discoloration or other negative impact from the heater.
- A non-combustible hearth may be constructed in front of the fireplace (see illustration below).



A non-combustible hearth may be installed in front of the fireplace. The entire structure must be non-combustible and not extend more than 1" (25mm) above the base of the fireplace.

## Facing Requirements

- Non-combustible facing must extend from the base of the fireplace to the framing header (see illustration below for details).
- Non-combustible facing must extend the entire width of the unit to the framing opening on both sides (see illustration below for details).
- Do not place facing over the glass opening.

**WARNING: Do not place drywall or other combustibles over the front of the fireplace.**

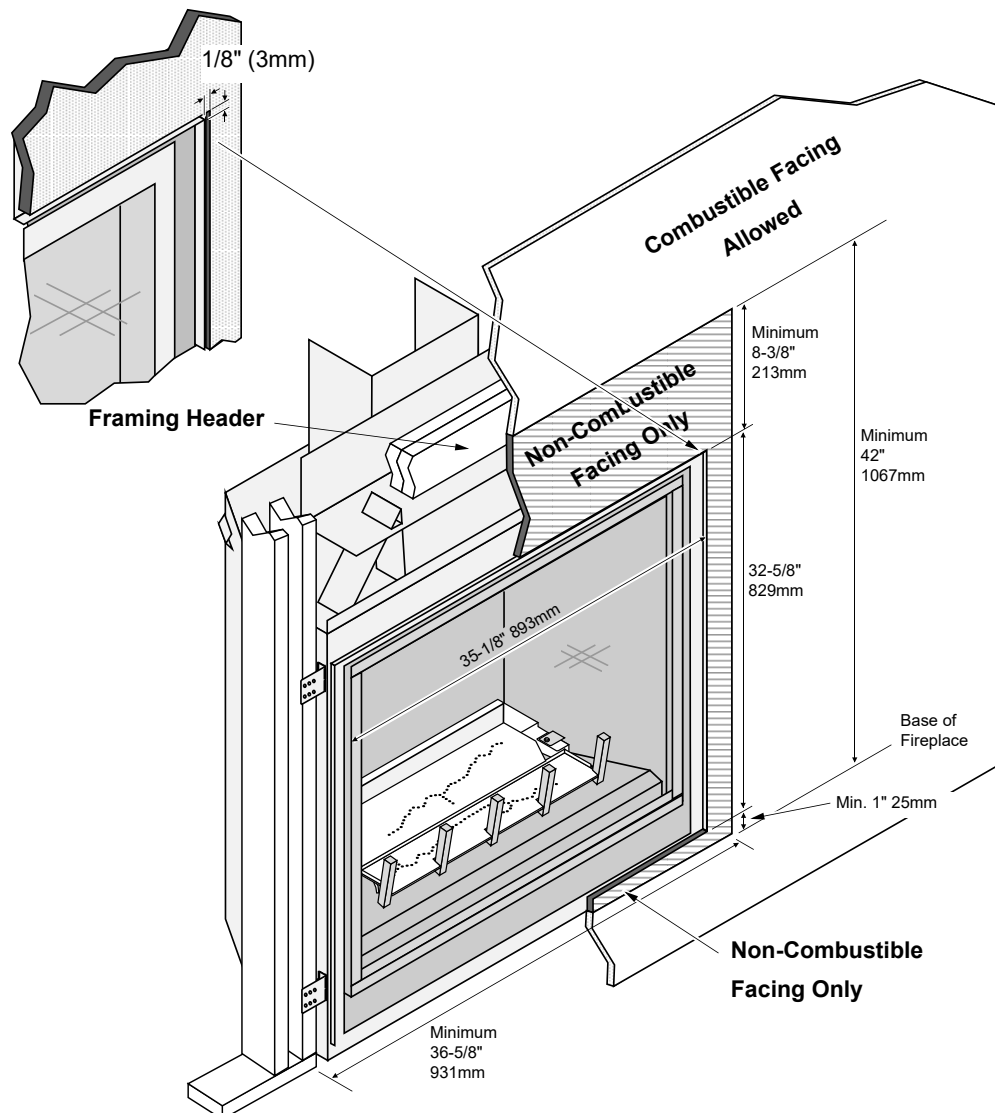


**WARNING:** Do not use adhesive to secure the facing. The high temperatures of the fireplace may cause adhesives to emit odors. Use mastic or thin set (or other non-combustible, non-odorous adherent) to attach the facing.

**NOTE:** Screws may be used to secure cement board or tile backer to the fireplace. Do not penetrate the fireplace more than 1/2" (13mm).

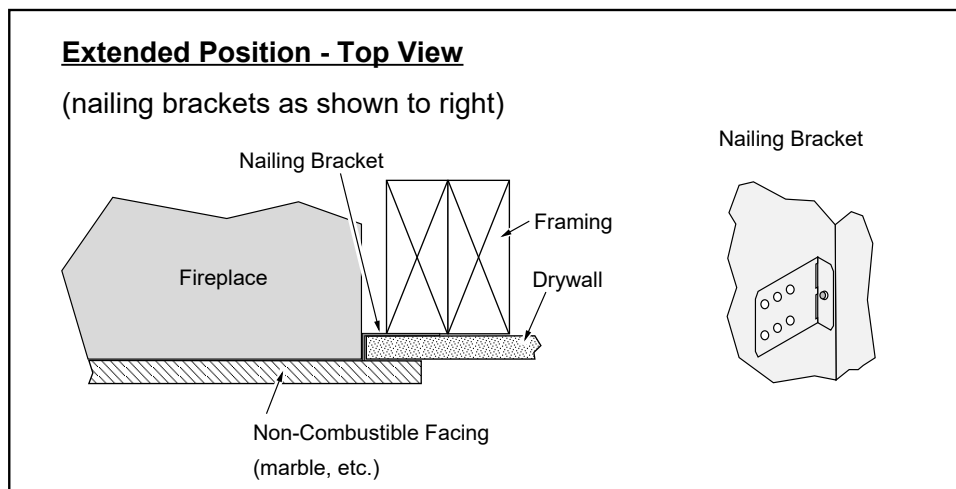
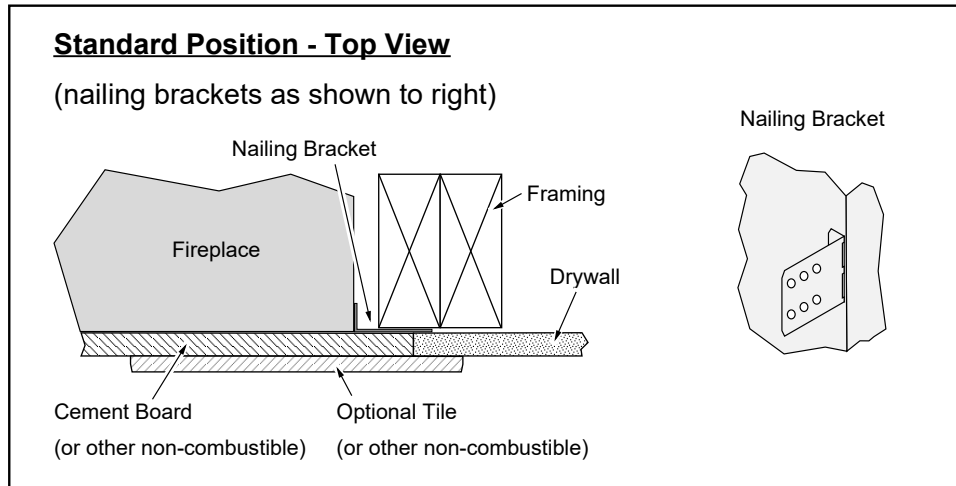
### 1/8" (3mm) Gap

Make sure non-combustible board is cut and positioned so it maintains a 1/8" (3mm) gap from the tile stop. This allows the fireplace structure to expand without cracking the facing (see dimensions below).



### Standard vs. Extended Position

- The nailing brackets on the side of the fireplace may be placed in the standard or extended position to best suit the facing being used (the header shield is also moved). Most installations use the standard nailing bracket position. If using a facing that does not use a backing board (e.g. marble), you may wish to use the extended position.



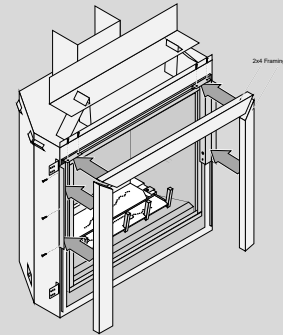


## Facing Thicker than 1-1/2" (38mm).

The screen assembly may be positioned 1/2" (12.7mm) to 1-1/2" (38mm) from the front of the fireplace to allow facing to tuck under the screen assembly. Facing thicker than 1-1/2" (38mm) may also be used, however the screen assembly will be recessed into the facing rather than overlapping facing.

### Thick Facing Template (sku# 98500703)

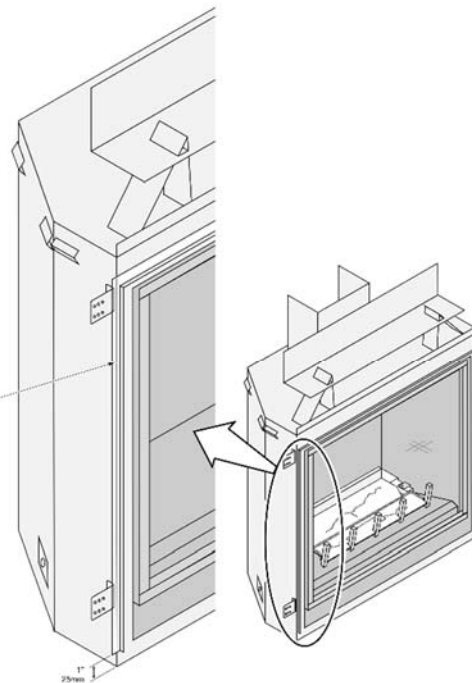
A thick facing template is available from Travis Industries. It attaches to the fireplace (along with 2x4s) and provides a template for thick (1-1/2" (38mm) or greater) facing. See the kit instructions for details.



**NOTE: Pay close attention to the following thick facing requirements when planning installation of facing material over 1-1/2" (25.4mm) thick.**

If facing greater than 1-1/2" (38mm) is used, make sure to leave a 3/8" (9.5mm) gap above the screen assembly and 1/8" (3.2mm) to the sides and below. This gap is required to allow for the screen assembly to be removed.

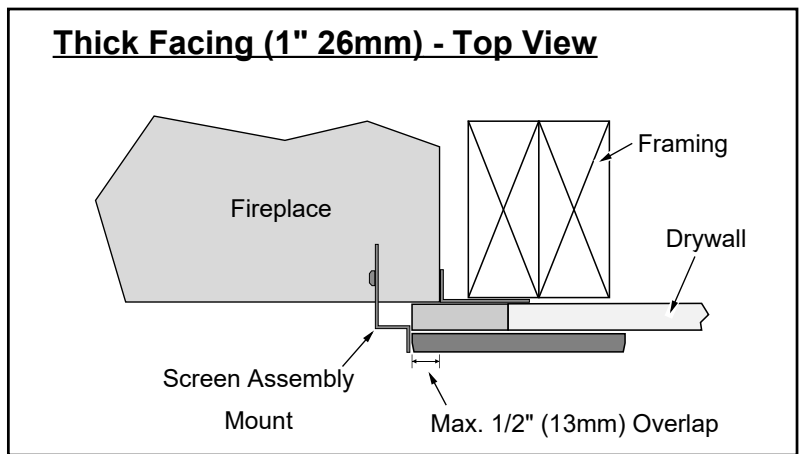
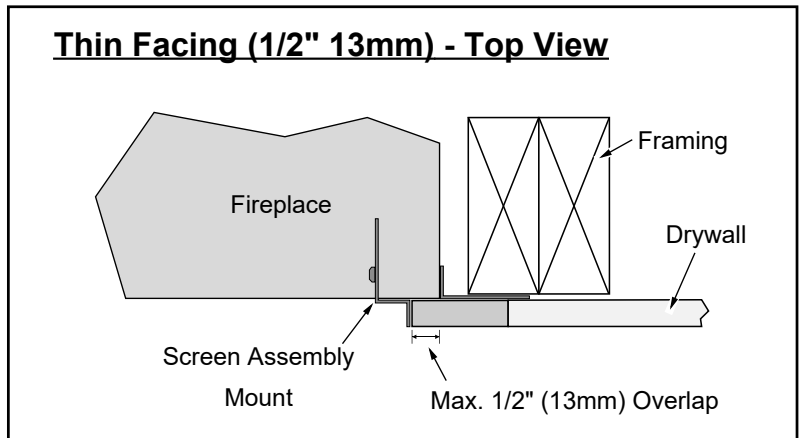
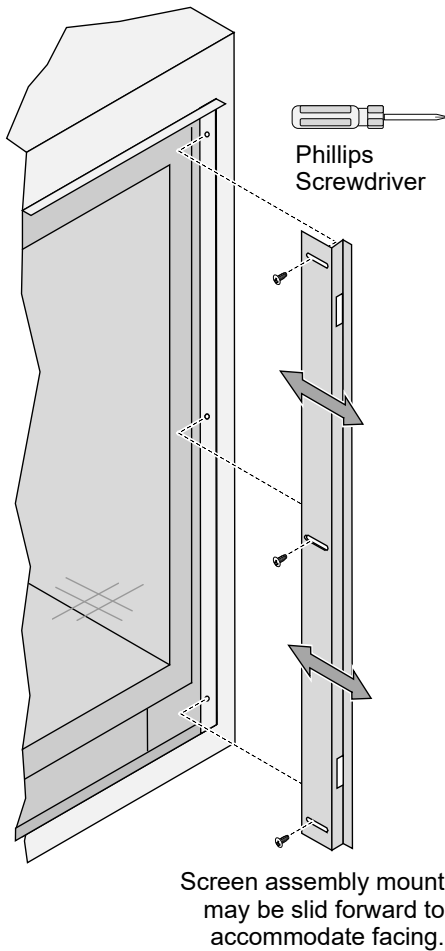
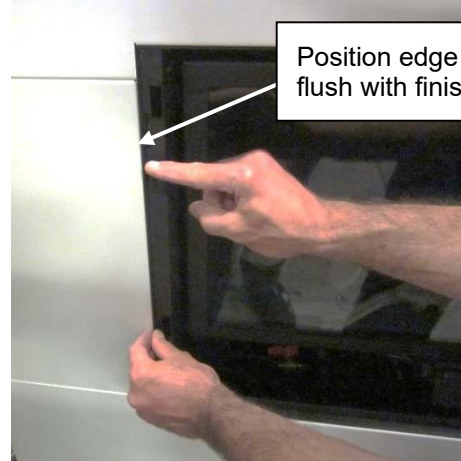
This area above and to the sides of the tile-stops must be left open when using facing over 1-1/2"(38mm) thick.



	Above Tile Stop	Sides of Tile Stop
<b><u>MINIMUM GAP</u></b> This provides 3/8" (9.5mm) gap above screen assembly, 1/8" (3.2mm) gap to the sides and below.	3/4" (19mm)	1/2" (13.7mm)
<b><u>UNIFORM GAP</u></b> This provides 3/8" (9.5mm) gap around all sides of the screen assembly.	3/4" (19mm)	3/4" (19mm)

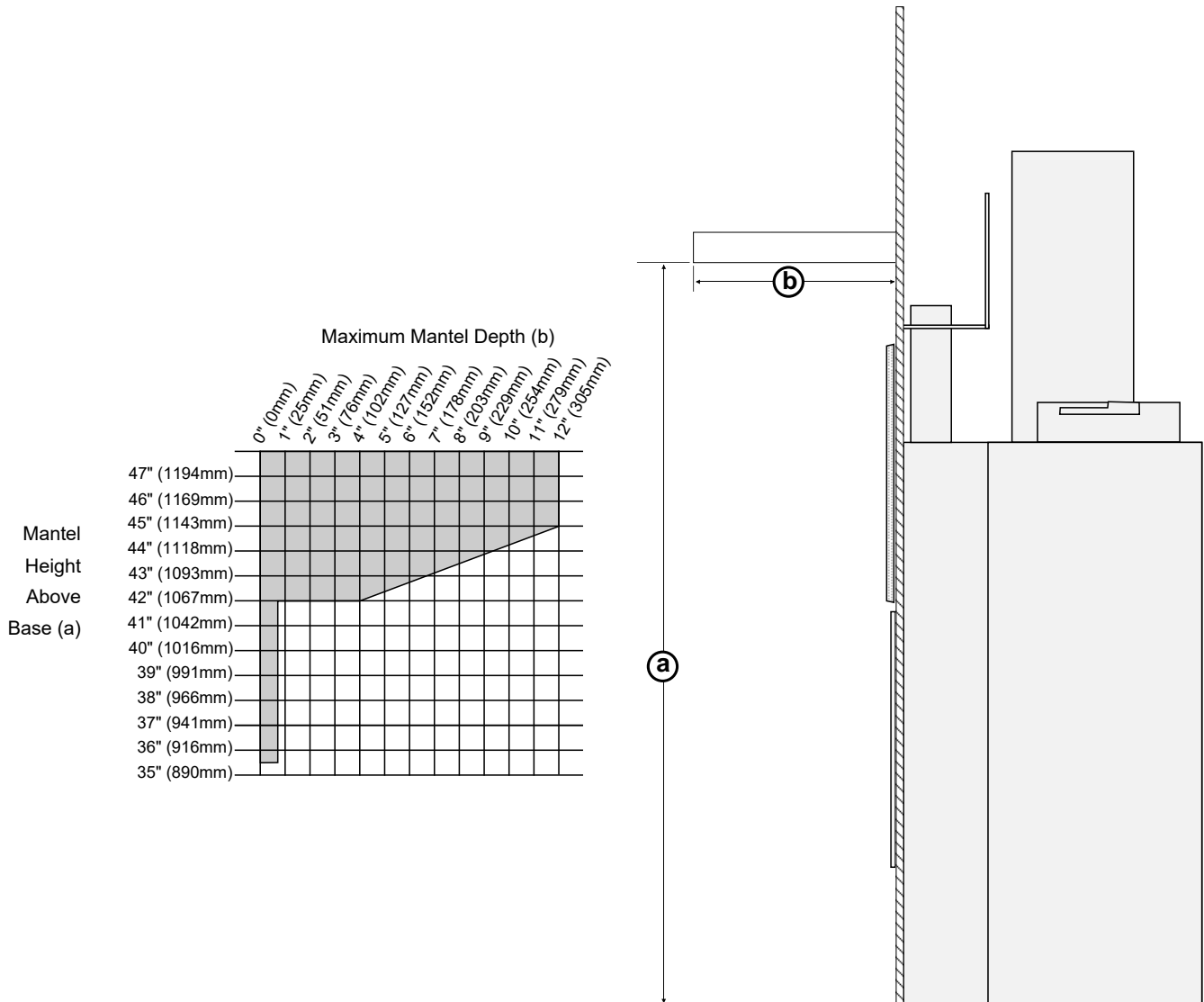
**Screen Assembly Mounts**

The screen assembly mounts (located on outer front edges of the fireplace) are adjustable to allow the screen assembly to be positioned 1/2" (12mm) to 1-1/2" (38mm) from the front of the fireplace. This allows facing to tuck under the screen assembly. Each mount is held in place by (3) Phillips head screws. Before mounting the screen assembly, adjust the mounts so that the front edge is flush with the finish material surrounding the fireplace. To adjust the mounts, loosen the screws, slide the mounts to the desired position, and then tighten the screws.



## Mantel Requirements

- Use the table below to determine the maximum mantel depth allowed. The mantel depth (measured from the non-combustible facing) must fall within the shaded portion of the table.
- Any material above the fireplace that protrudes more than 3/4" (19mm) from the non-combustible facing is considered a mantel and must meet the mantel requirements.



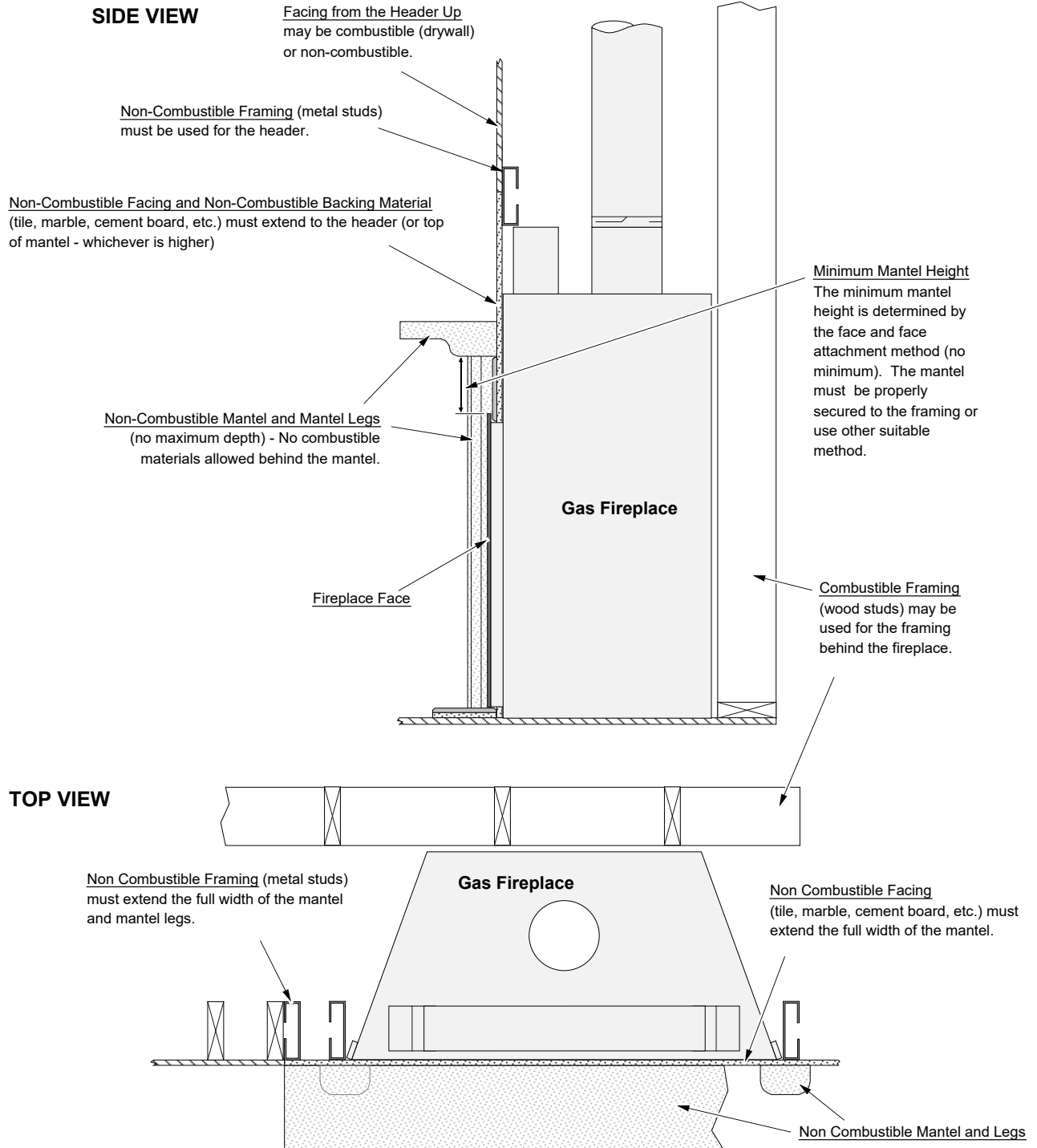
## Mantel Column Clearances

- Combustible mantel columns (legs) require a 0" (0mm) clearance to the side of the fireplace (they must be to the side of the fireplace).
- Non-combustible mantel columns do not have a minimum clearance.

***Use of a Non-Combustible Mantel Below Listed Mantel Clearances***

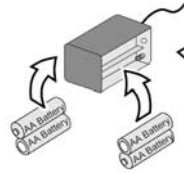
Each gas fireplace has a unique set of mantel requirements. If you wish to place a non-combustible mantel at a lesser height than specified in this manual, it will need to meet the following requirements:

- The header (the framing member above the fireplace opening) must be non-combustible.
- The facing must be non-combustible and extend to the header (or mantel, whichever is greater). The facing must also span the entire width of the mantel.
- See the illustration below for additional requirements.



## Finalizing the Installation

1. Remove the glass (see page 40).  
**NOTE:** If using propane (LP) convert the appliance prior to installing the media.
2. We recommend you purge the gas line at this time (**with the glass removed**). This allows gas to be detected once it enters the firebox, ensuring gas does not build up.



3. Install the batteries into the battery holder

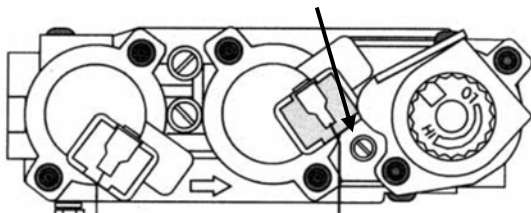
4. Turn on gas to the heater. Leak test all gas joints prior to starting the appliance. Start the pilot to verify gas supply (see instructions on page 39). Leak test all the gas joints. Turn the gas control knob to "OFF" to shut off the appliance.

### Pilot Flame Inspection

The pilot flame should look like the illustration below. Adjust the pilot flame if necessary.

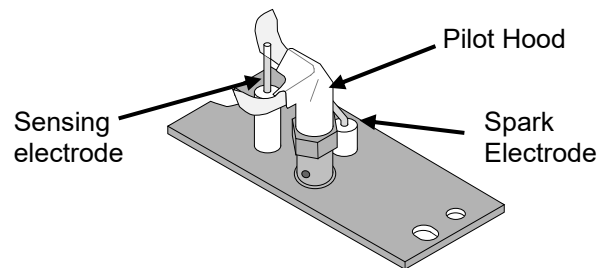
The pilot flame should look like the illustration below. Adjust the pilot flame if necessary.

To adjust the pilot flame, turn this screw. Clockwise lowers the flame while counter-clockwise raises it



Standard Screwdriver

The pilot flame should touch the top 3/8" of the sensing electrode and make contact with the pilot hood. Adjust the pilot up or down as necessary.

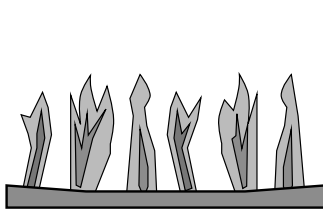


5. Replace the glass.
6. Start the main burner and verify the burner ignites correctly.
7. Leak test all gas joints.

### Air Shutter Adjustment

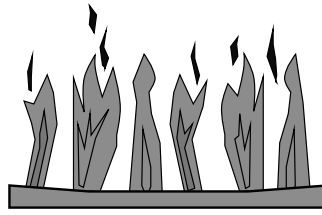
Let the heater burn for fifteen minutes (make sure the logs and glass are in place). The flames should be yellow with no sooting. Adjust the air shutter, if necessary, to achieve the correct looking flame.

#### Air Shutter Adjustment



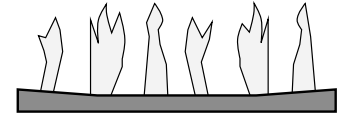
Correct

Flames should be blue at the base, yellow-orange on the top.



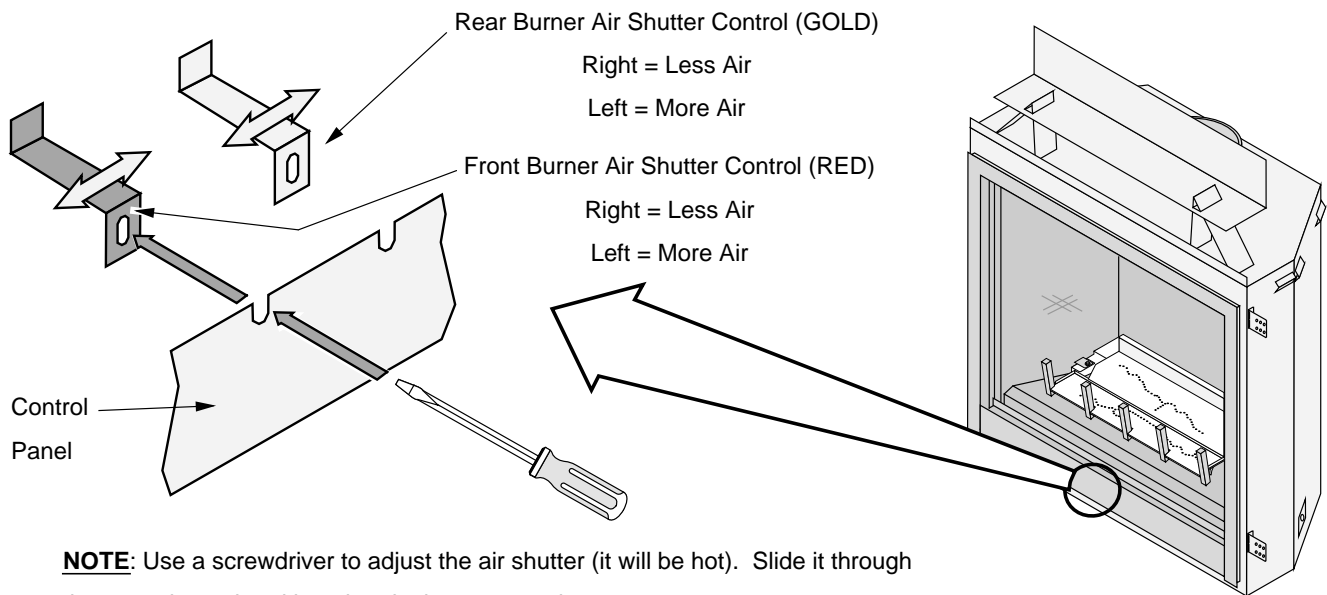
Not Enough Air

If the flames are too tall or sooty on the ends, open the air shutter.



Too Much Air

If the flames are all blue and short, close the air shutter.



**NOTE:** Use a screwdriver to adjust the air shutter (it will be hot). Slide it through the control panel and into the air shutter control.

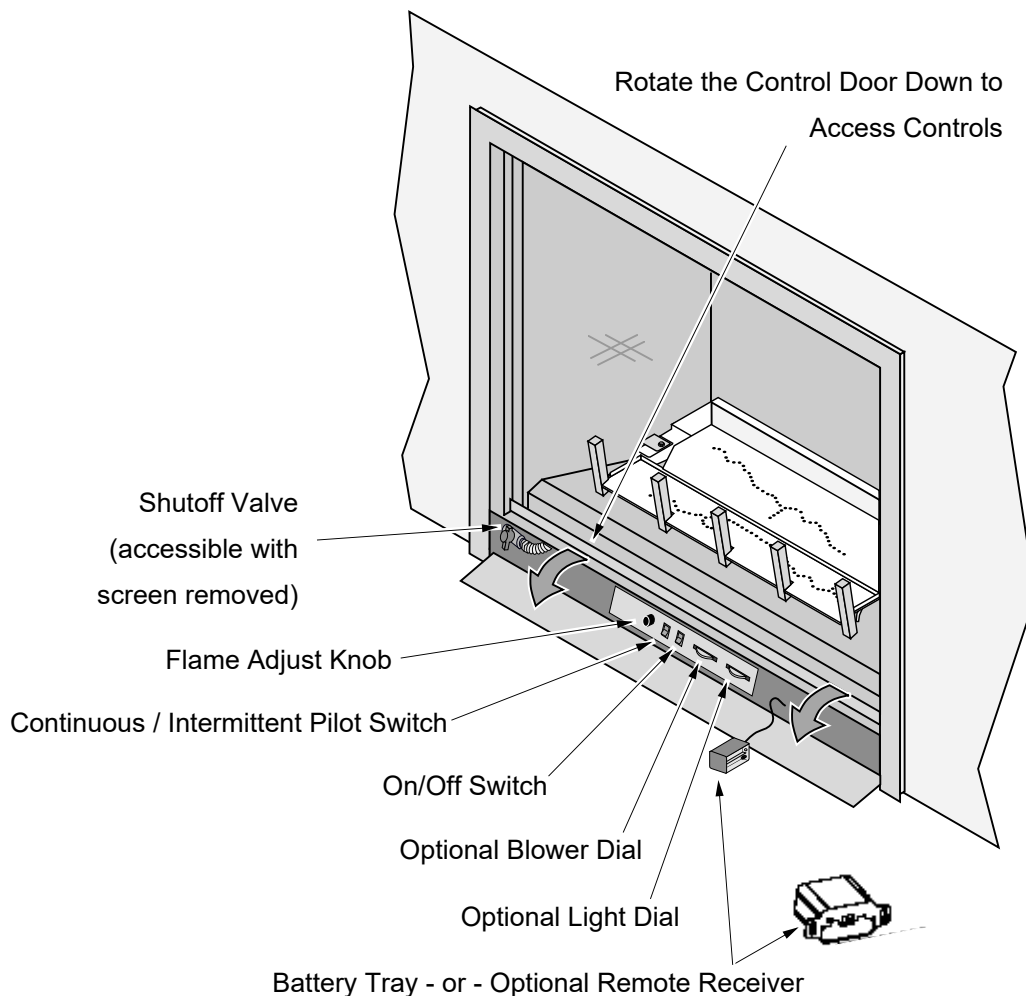
Typically, the air shutter is more closed (right) on NG, more open (left) on LP.

8. Adjust the flame to its highest position - the flames should not contact the top of the firebox. Check the flame on low position. The flames should burn off of each burner hole. If the heater does not work correctly, contact your Travis dealer for a remedy.
9. Give this manual to the home owner for future reference and fully explain operation of this heater. For comprehensive operating and maintenance instructions, refer to the Owner's Manual.

**ACID WASH WARNING:** Make sure any masonry that has been treated with acid wash has been properly neutralized (this is used primarily with brick faces). Acid wash (muriatic acid) is used to remove excess mortar.

## Location of Controls

There is a door on the lower portion of the screen assembly to provide access to the manual controls on the fireplace. The door is held closed by two magnets. Open the door by gently pulling outward on the upper portion of the lower trim.



**Glass Frame Removal and Installation**



A barrier designed to reduce the risk of burns from the hot viewing glass is provided with this appliance and shall be installed for the protection of children and other at-risk individuals.



If the barrier becomes damaged, the barrier shall be replaced with the manufacturer's barrier for this appliance.



**The appliance must be completely cool before removing the glass.**



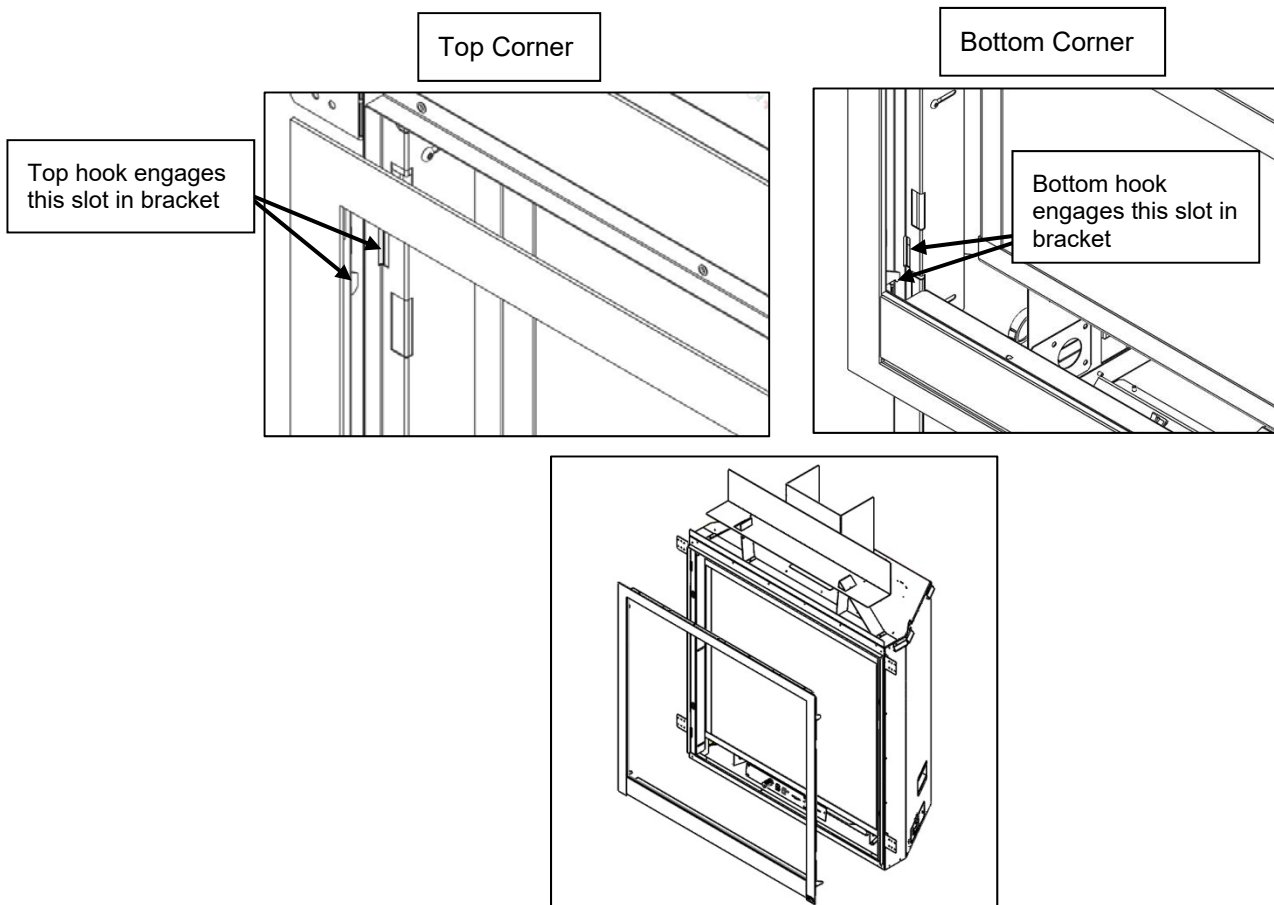
**Do not strike or slam the glass.**



**Warning: Do not operate appliance with the glass front removed, cracked or broken. Replacement of the glass should be done by a licensed or qualified service person.**

1. Remove the screen-trim assembly by lifting the assembly up slightly and tilting it toward you. The mounting hooks on the back of the assembly will disengage the fireplace. Set the assembly aside for reinstallation.

**NOTE:** Opening the access door on the front of the assembly allows for a easy location to get a secure grip on the assembly for removal

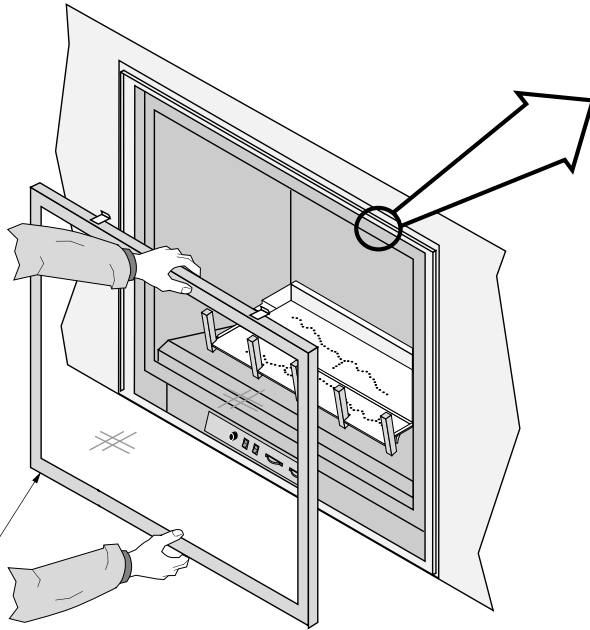


	Replacement Barrier Part #
36 CF ProBuilder	270-01022



2. Remove the glass frame following the directions below.

- a** Open the latches holding the glass frame in place (start with the bottom) - follow the directions shown to the right.



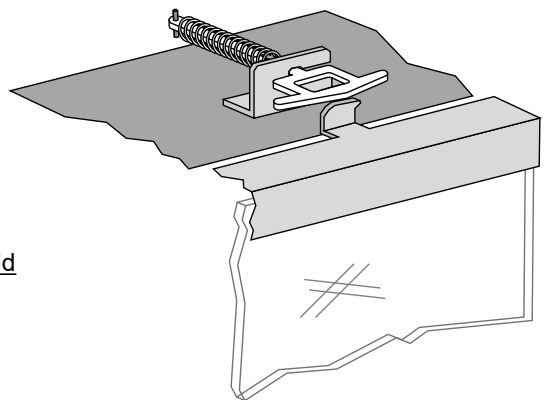
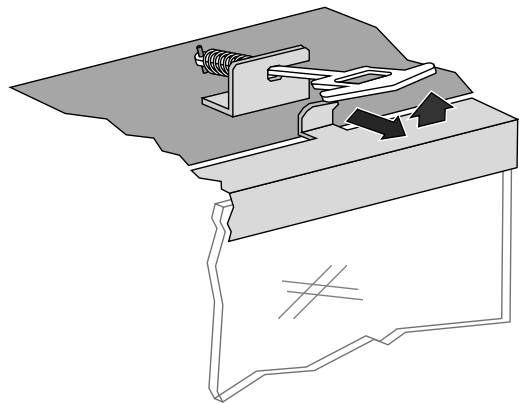
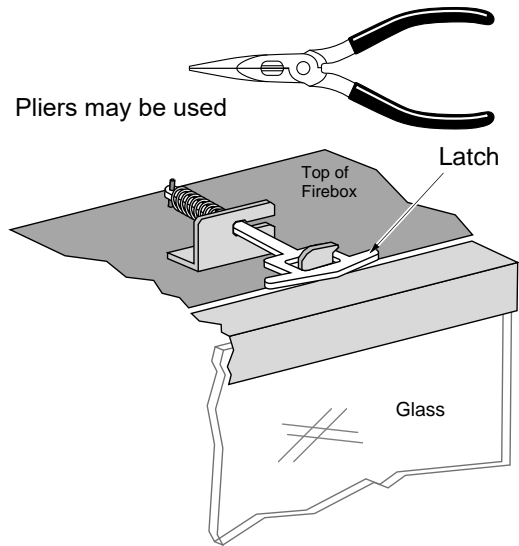
- b** Lift the glass frame up and pull it forward to remove.

**NOTE:**  
You may need to lift the glass frame while re-attaching.

**Re-Attaching the Glass Frame:**

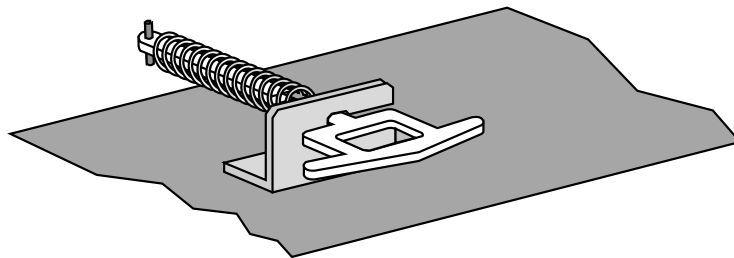
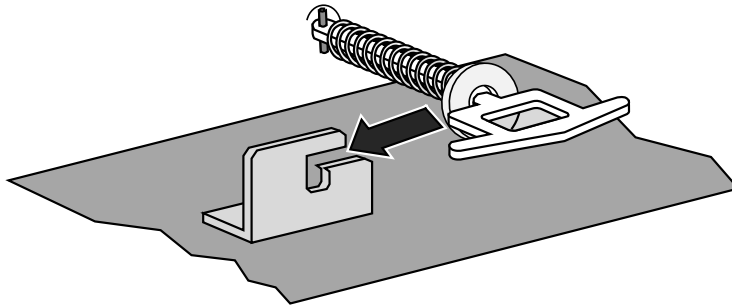
- a) Hang the glass frame on the firebox.
- b) While holding in place, attach the upper latches (follow the instructions to the right in reverse).
- c) Lift the glass frame slightly and attach the lower latches.

**NOTE:** Make sure the glass frame is all the way in place - it should be parallel with the front of the fireplace when installed.



Replacement Glass Frame Part #	
36 CF ProBuilder	270-01023

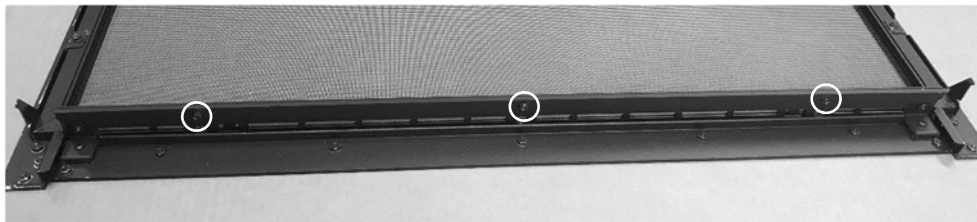
The latch can come loose from glass frame anchor. This occurs when it is turned 1/4 turn when it is disengaged. Follow the directions below to re-install the latch if it becomes loose.



### Barrier Screen Visual Deflector Adjustment

The barrier screen assembly has an adjustable visual deflector along the lower edge. If the assembly is adjusted to accommodate thick facing material, adjust the deflector, as shown below, to block the view of the valve area.

1. Place the screen assembly face down on a soft surface to protect it from scratching. Locate the nuts along the bottom edge of the deflector (in this example there are 3, your fireplace may have more).



2. Remove the nuts using an 11/32" nut driver. Move the deflector to the desired position and reinstall the kept nuts. Test fit the assembly to the fireplace and make any adjustments as needed.



## Log Set Installation

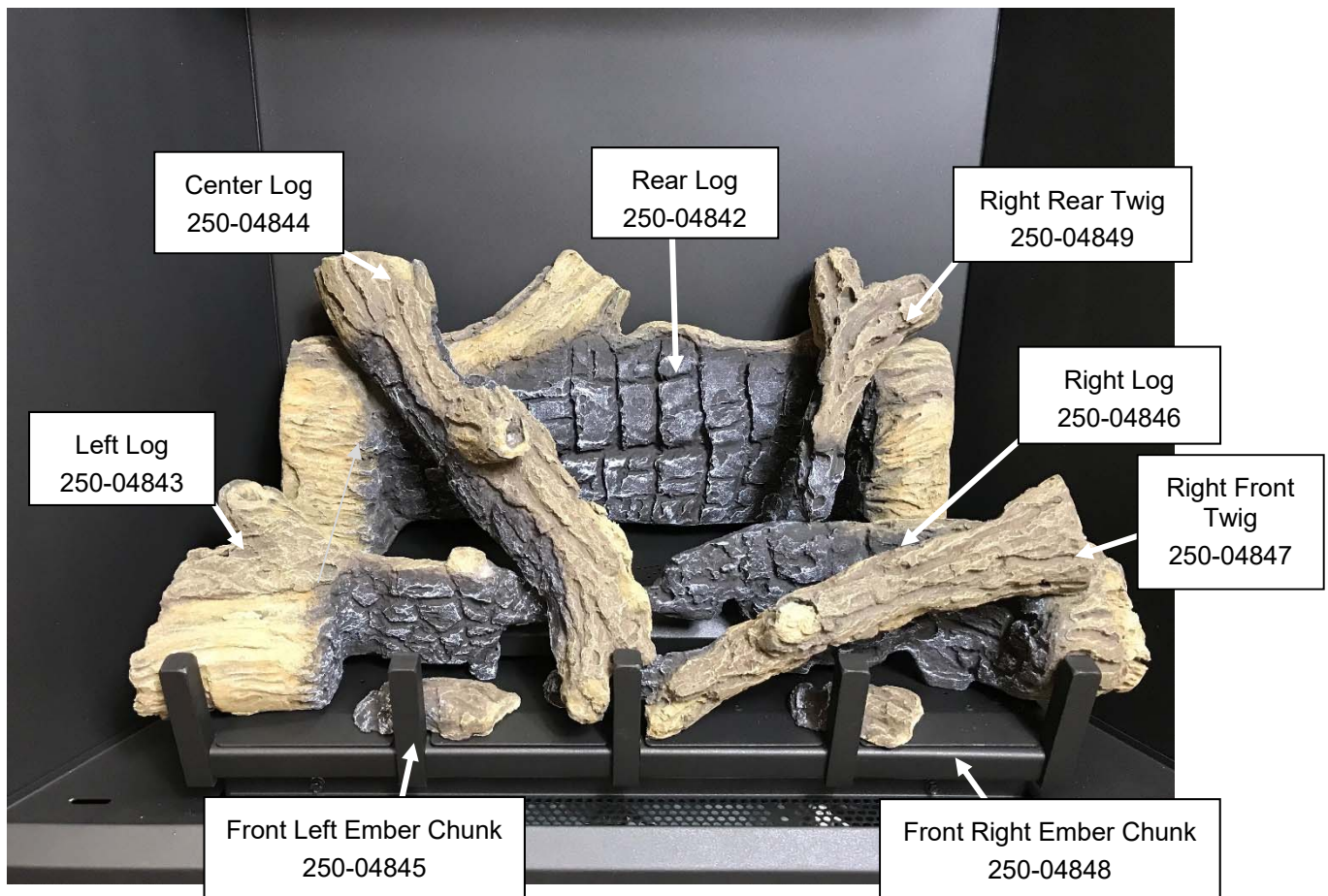
### Installation Warnings

**NOTE:** Consult the installation manual for order of installation. If using propane (LP), convert the appliance before installing the log set. If using firebacks, install them prior to installing the log set.

- **The logs are fragile, especially after being exposed to heat.**
- Make sure the gas control valve is OFF and the heater is cool prior to installing logs.
- Failure to position the parts in accordance with these diagrams or failure to use only parts specifically approved with this appliance may result in property damage or personal injury.
- The burner must be correctly positioned before installing the log set. Make sure the burner is fully seated and the pilot is properly aligned. See owner's manual for details on burner removal.

### Log Set Overview

When installed, the (8) logs should appear as shown below. See the following pages for installation.



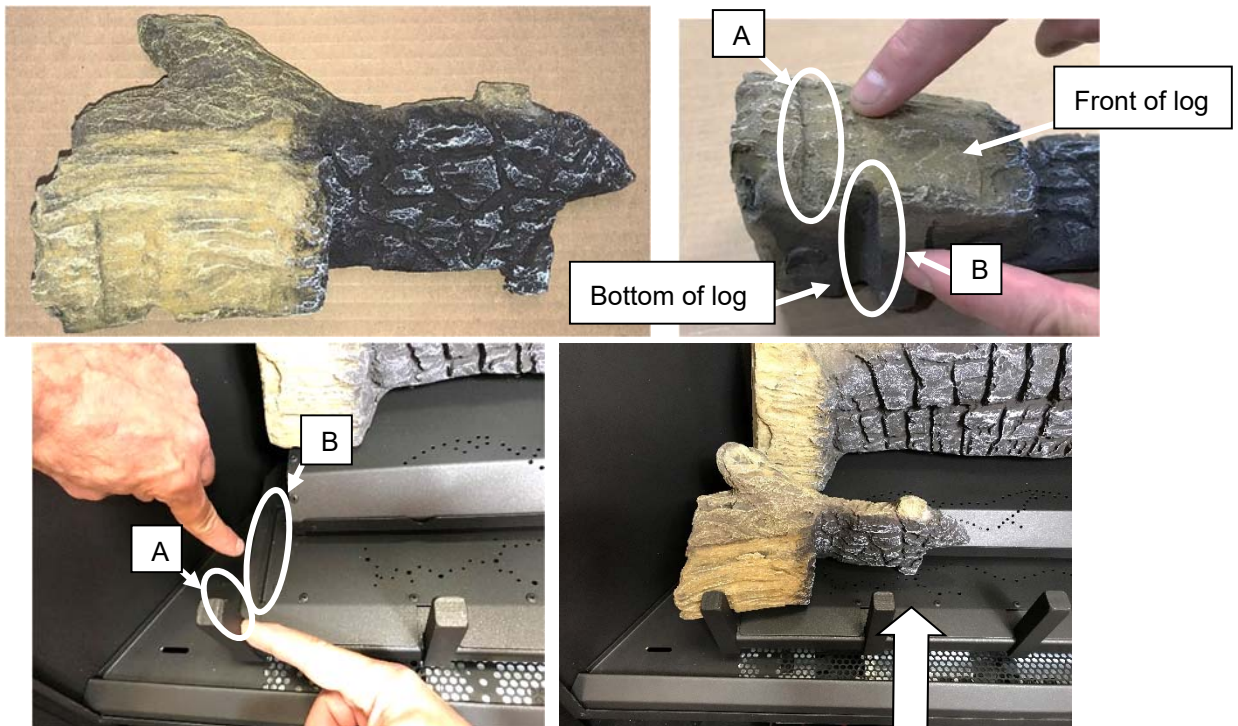
**Rear Log**

The back log has two pockets that insert over two tabs on the back burner (see photos below). Place the log in place and push it back. The log straddles the burner and does not cover any burner holes. Make sure the corner of the log is lined up with the rivet on the burner as shown in the lower right picture.



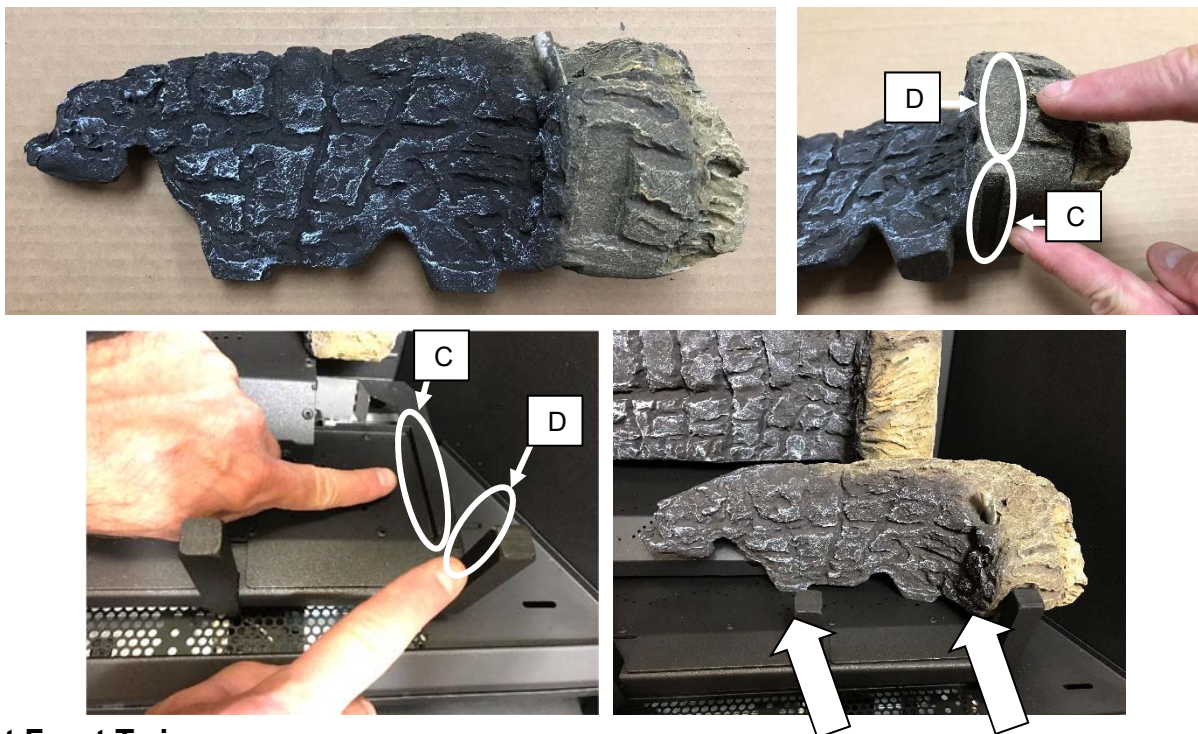
**Left Log**

The left log has a channel (A) on the bottom that fits over a ridge on the burner and a notch (B) that contacts the grate. Set the log in place and slide it to the rear.



## Right Log

The right log has a channel (C) on the bottom that fits over a ridge on the burner and a notch (D) that contacts the grate.



## Right Front Twig

The right front twig has a hole for a locating pin on the bottom and a notch to rest on the grate at one end. Place twig over the pin and adjust so the notch is in contact with the grate as shown below.



**Right Rear Twig**

The right rear twig is shown below. It has a hole for a locating pin on the bottom. When in place, the front tip just barely rests on the right log as shown below.



## Center Log

The center log has a hole for a locating pin on the bottom and a notch to rest on the grate at one end.



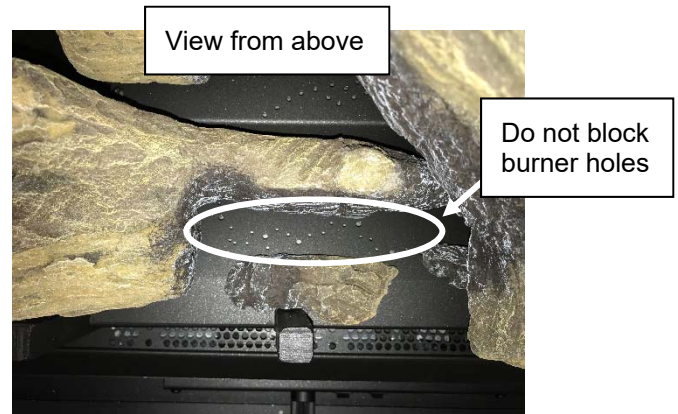
## Ember Chunk Identification

There are (2) ember chunks, that look very similar, included with this log set. It is important that they are on the correct side of the burner or they may cause flame impingement. Below is a picture that shows the ember chunks side by side to aid with identification.



**Left Ember Chunk**

The left ember chunk has a flat bottom and charred end. The chunk fits behind the bar, 2<sup>nd</sup> from the left, of the log grate. The charred end should be to the left. Place the ember chunk as shown below. Make sure the chunk is positioned so it does not cover any burner holes.

**Right Ember Chunk**

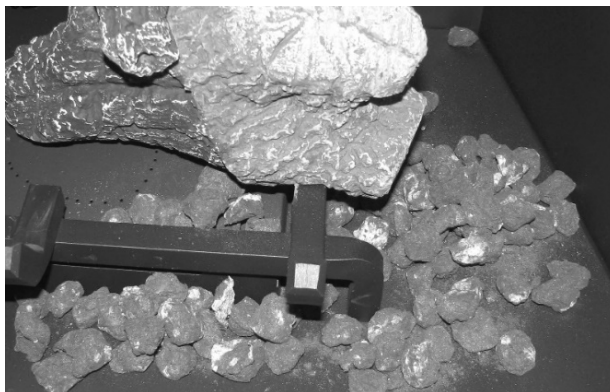
The right ember chunk also has a charred end. The chunk fits behind the bar, 2<sup>nd</sup> from the right, of the log grate. The charred end should also be to the left as shown below.





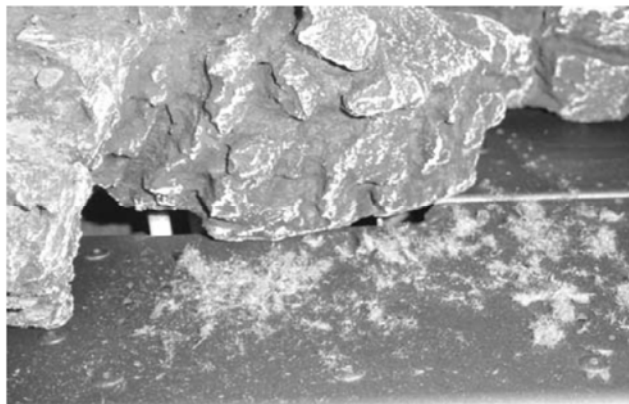
## Ember Installation

A bag of embers is provided to further enhance the firebox. Place the embers on the firebox floor and on the burner. Do not place embers over any of the burner holes or air channels.



## Rock Wool Placement (All Models)

The included rock wool is placed on top of the burner to enhance the glow from the burner. **The rock wool works best when it is applied in a very thin layer.** The best method for applying the rock wool is to brush it on to the burner. Compress a clump of rockwool between your thumb and forefinger. Use a stiff brush to apply a thin layer of rockwool fibers onto the burner. Do not use the entire bag of rockwool. Use only a small amount and save the remainder. Over-use of rockwool will diminish the glow and may cause sooting or other adverse conditions.



**LP Conversion Instructions****WARNING**

This conversion kit shall be installed by a qualified service agency in accordance with the manufacturer's instructions and all applicable codes and requirements of the authority having jurisdiction. If the information in these instructions is not followed exactly, a fire, explosion or production of carbon monoxide may result causing property damage, personal injury or loss of life. The qualified service agency is responsible for the proper installation of this kit. The installation is not proper and complete until the operation of the converted appliance is checked as specified in the manufacturer's instructions supplied with the kit.

**Caution:** The gas supply shall be shut off prior to disconnecting the electrical power, before proceeding with the conversion.

**Note:** Convert the appliance prior to installing the gas line to ensure proper gas use.

The GSR Stepper Motor Kit (4-pack = 94400999, single = 250-01463) is required for converting this appliance to LP. The kit contains the stepper motor (regulator) and torx wrench. The burner orifices, pilot orifice, and burner gaskets are shipped with the appliance.

- 1 Remove the barrier and glass. Remove the logs and embers (if installed - page 43)
- 2 Remove the burners following the directions below.

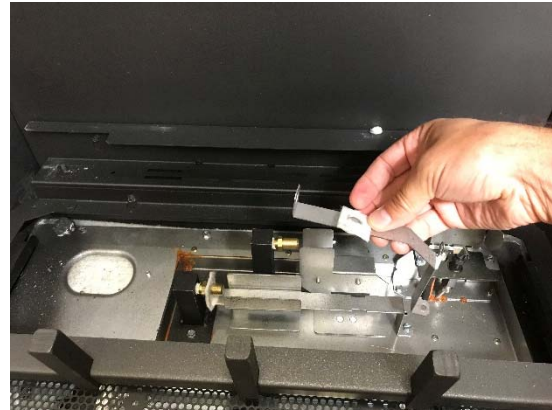
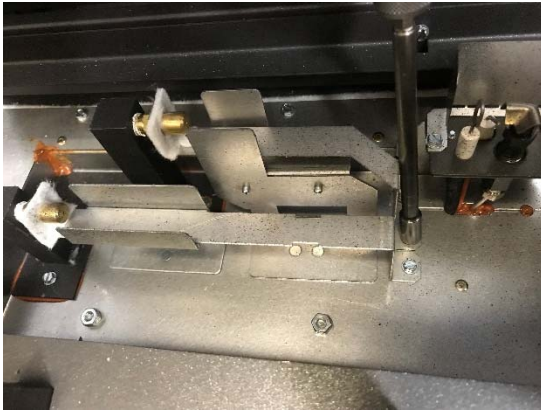
Lift the rear burner and lift it from the firebox. The burner has a bracket that inserts over two pins behind the burner. When replacing the burner make sure it is properly located.



Lift the front burner, slide it to the right, and lift it from the firebox. When replacing the burner make sure it is properly located.



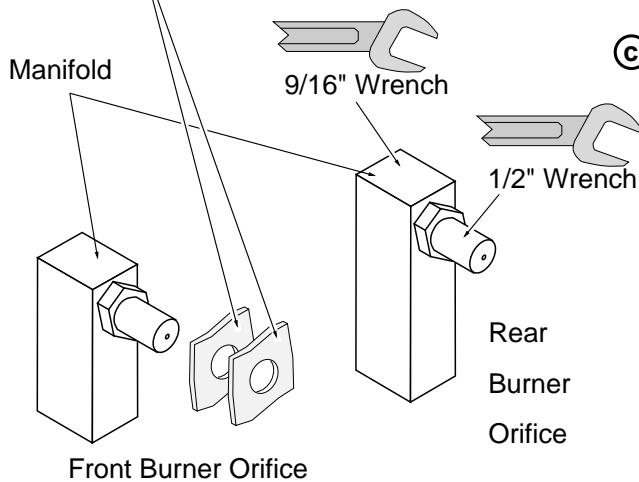
Remove the 2 manifold covers and place them aside.



3 Follow the directions below to replace the orifice.

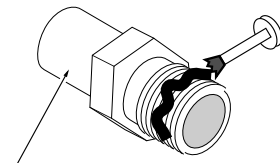
(a) Slide the air shutters to provide access to the orifices.

(b) Remove and discard the two gaskets on the front burner orifice.



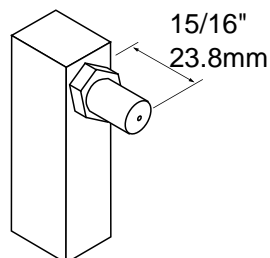
(c) Use a 9/16" wrench to secure the manifold while removing each orifice with a 1/2" wrench.

(d) Apply thread sealant to the LP orifices prior to installation. Use the chart below to identify the correct orifices.



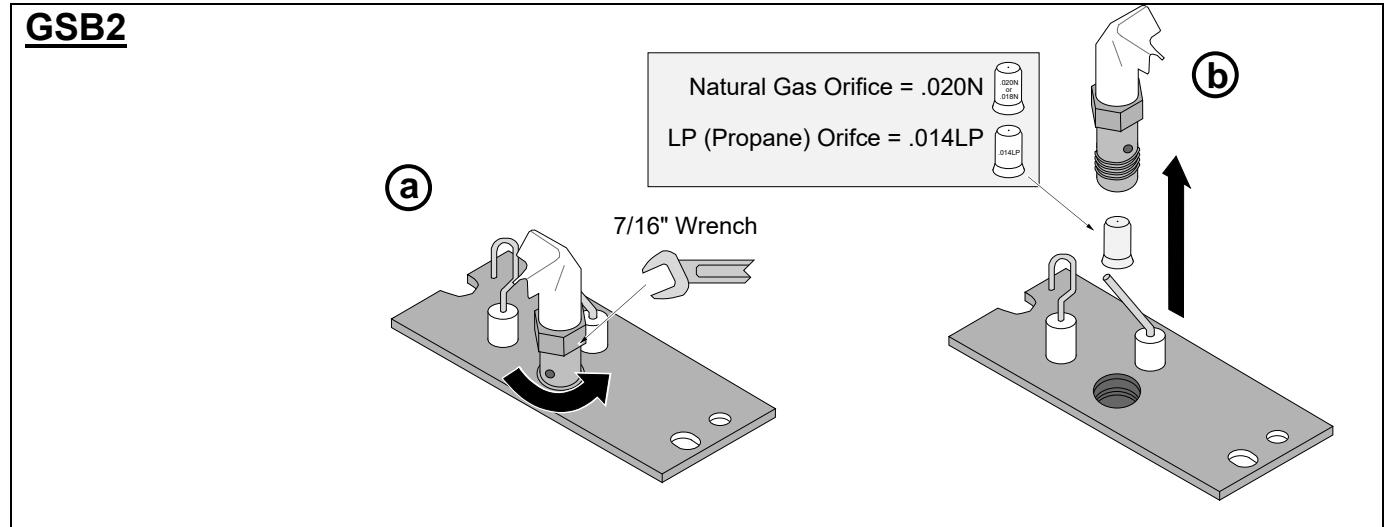
Look here for the orifice identification

(e) Screw each LP orifice until orifice protrudes 15/16" (23.8mm) indicating full insertion (use wrench to secure manifold when re-attaching orifice).



	NG	LP
Front	#54	#57
Rear	#48	#63

- 4 Install the LP pilot orifice following the instructions below.
  - (a) Use a 7/16" open-end wrench to remove the pilot hood.
  - (b) Remove and discard the Natural Gas (NG) orifice. Place the LP orifice in the pilot assembly then replace the pilot hood, tightening the pilot hood until it is snug (do not over-tighten).



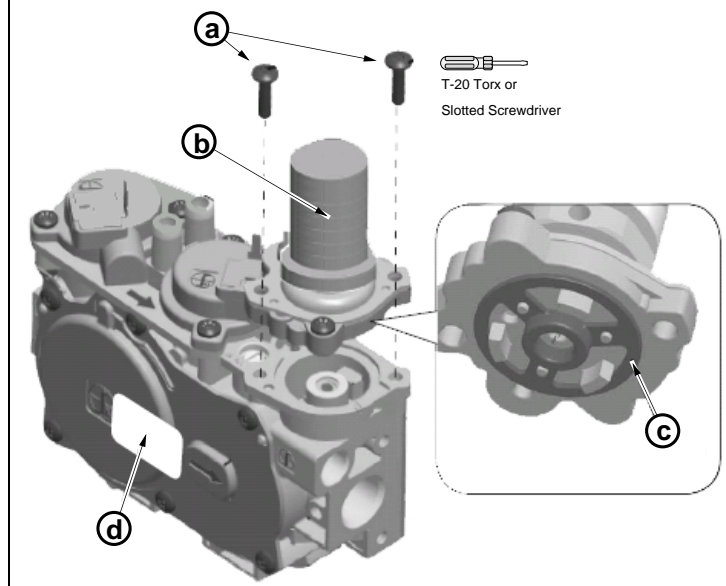
- Remove the regulator from the front of the gas control valve. There is an knob extension on the regulator knob that will need to be moved to the new regulator. To remove the extension pull toward you. Replace with the propane regulator, using the new gasket and screws included with the regulator. Re-install the knob extension onto the LP regulator knob. The knob extension is directional so you may need to turn it until it lines up properly with the regulator knob and can be pushed into place..

**NOTE: Leak test this area after the heater is installed, gas is connected, and the main burner is lit.**

## GSB2

Replace the regulator following the instructions included with the regulator kit. Remove and discard the screws (see "a" below) holding the stock regulator in place (see "b" below). Remove the stock regulator and gasket (see "c" below). Place the LP regulator in place, making sure the pre-fitted gasket (see "c" below) is in place – **make sure it is correctly oriented**. Secure using the screws included with the motor – tighten to 25 Lb-inches. **Leak test this area after installation to verify proper installation.**

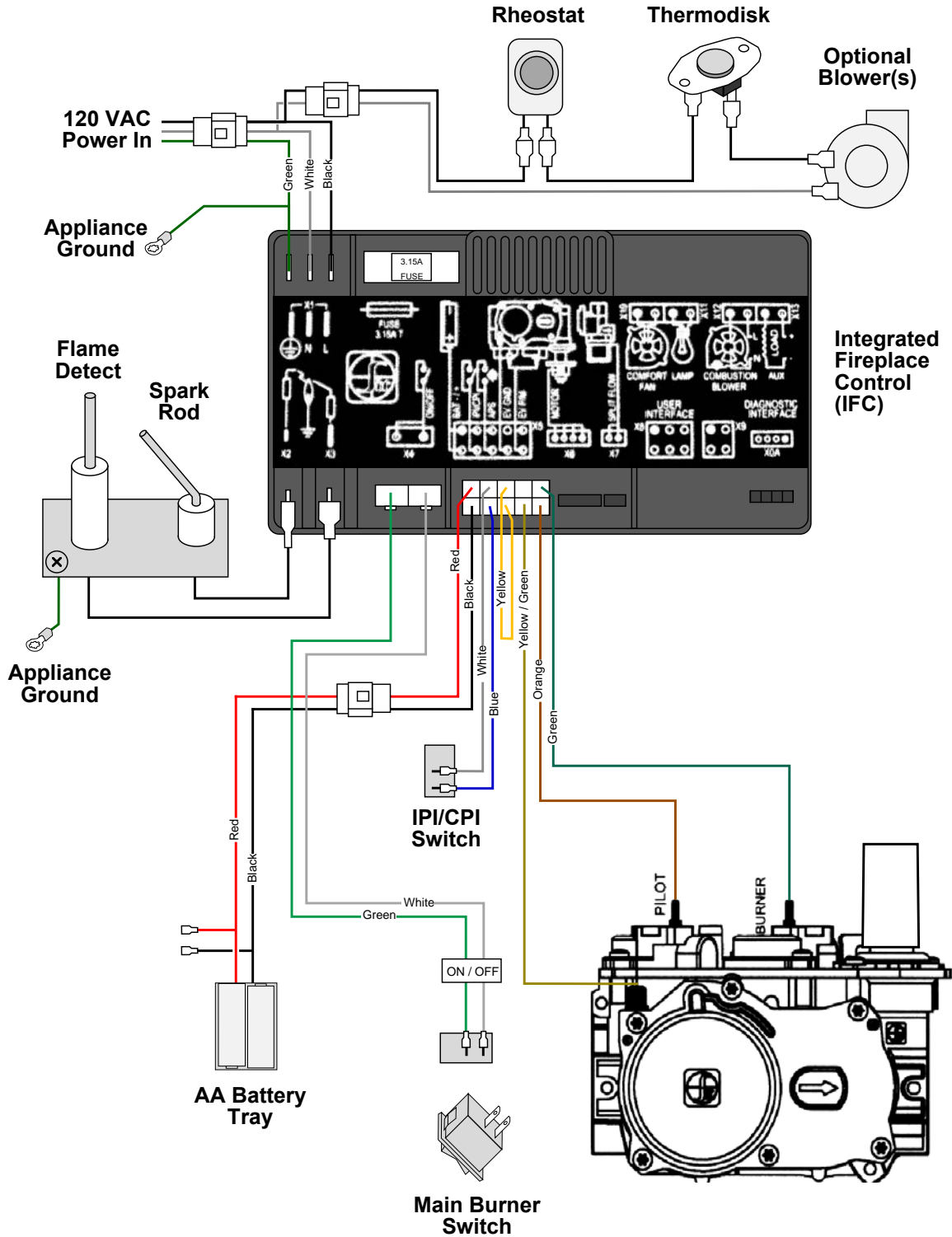
There is a label on the base of the regulator knob indicating regulator type (NG or LP). Place the included label on the valve body where it can be easily seen to insure proper identification ("d").



- Make the gas line connection, bleed the gas line (if applicable), start the heater and thoroughly leak-test all gas connections and the gas control valve.

Wiring Diagram

**Caution:** Label all wires prior to disconnection when servicing controls. Wiring errors can cause improper and dangerous operation.





Additional Items Required .....	7	LP Conversion Instructions .....	50
Air Shutter Adjustment .....	38	Mantel Column Clearances .....	35
Altitude Considerations .....	21	Mantel Requirements .....	35
Approved Termination .....	21	Masonry Chimney Conversions .....	27
Approved Vent .....	21	Minimum Framing Dimensions .....	9
Barrier Screen Visual Deflector Adjustment.....	42	Optional Equipment Installation .....	7
Class A Chimney Conversion .....	28	Packing List.....	7
Clearances .....	8	Raised Fireplaces .....	8
Corner Installations .....	15	Recommended Installation Procedure .....	7
Diffuser .....	23	Restrictor Position.....	22
Dimensions .....	6	Rock Wool Placement .....	49
Electrical Connection .....	19	Safety Warnings.....	4
Fireplace Placement Requirements .....	8	Steps for Finalizing the Installation .....	37
Fuel .....	17	Termination Requirements .....	29
Gas Line Connection.....	17	Vent Clearances .....	21
Gas Line Location .....	18	Vent Configuration	
Gas Line Requirements .....	17	Horizontal Termination with Vertical Rise .....	26
Glass Frame Removal and Installation .....	40	Vertical Termination .....	25
Hearth Requirements .....	30	Vent Configurations .....	24
Heating Specifications.....	6	Vent Firestop.....	21
Installation Options.....	6	Vent Installation .....	22
Location of Controls .....	39	Vent Requirements .....	21
Log Set Installation.....	43	Wiring Diagram .....	54